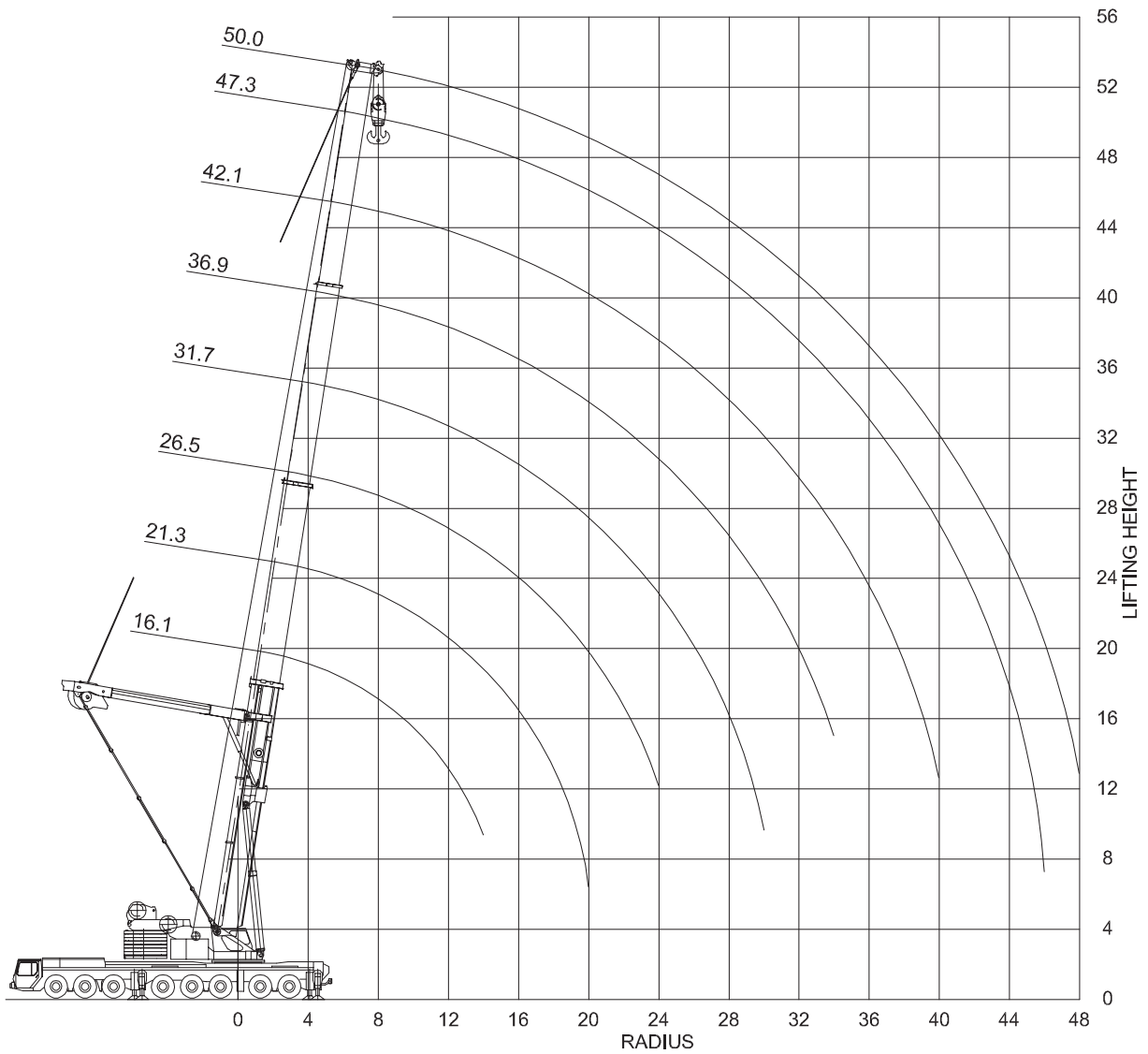


Dimensions are in millimeters.
The content in this document is mentioned for reference use only. Values may differ from current data. Always contact Mammoet for current project calculations.



Dimensions are in meters.
 The content in this document is mentioned for reference use only. Values may differ from current data. Always contact Mammoet for current project calculations.

Main boom

- Outrigger base: 10×9.6 m
- Ballast: 165 - 0 t

Boom length (m)	Ballast (t)	Radius (m)																											
		3	3.5	4	4.5	5	6	7	8	9	10	11	12	14	16	18	20	22	24	26	28	30	32	34	36	38	40	42	
16.1	165	Special	500	400	325	274	268	238	213	193	176	161	147	133	113														
	135		500	400	325	274	262	233	209	189	168	150	137	124	105														
165	Rear		274	274	274	274	268	238	213	193	176	161	147	133	113														
	135		274	274	274	274	262	233	209	189	168	150	137	124	105														
105			274	274	274	274	257	228	201	175	156	140	128	115	97														

Main boom

- Outrigger base: 10×9.6 m
- Ballast: 165 - 0 t

Boom length (m)	Radius (m)																													
	3	3.5	4	4.5	5	6	7	8	9	10	11	12	14	16	18	20	22	24	26	28	30	32	34	36	38	40	42	44	46	48
16.1	274	274	274	269	252	223	199	179	162	147	135	123	105																	
21.3		272	267	263	251	221	198	178	161	145	133	121	103	89	77	63														
26.5			247	238	231	212	195	178	161	146	134	122	104	90	78	69	61	55												
31.7					187	171	158	147	137	127	119	110	98	88	77	67	60	53	48	43.5	39									
36.9						151	140	131	121	113	106	98	87	78	70	63	58	54	49	44	40	36.5	33.5							
42.1							121	113	106	100	94	88	79	71	63	57	53	49.5	46	43	40.5	37	34	31.5	28.9	26.8				
47.3								98	93	88	84	80	72	64	58	53	48.5	44	41	38	35.5	33	31	29.4	27.9	26.4	24.9	23.5	18	
50									81	76	72.5	69	62	56	52	47	42.5	38.5	35.5	33	30.5	27.9	26.3	24.7	23.3	21.9	20.6	19.4	18.2	17

Main boom

- Outrigger base: 10×6.3 m
- Ballast: 165 - 0 t

Boom length (m)	Radius																													
	3	3.5	4	4.5	5	6	7	8	9	10	11	12	14	16	18	20	22	24	26	28	30	32	34	36	38	40	42	44	46	48
16.1	210	207	205	199	176	126	90	69	54	44.5	37.8	31	23																	
21.3		193	192	191	163	114	86	67	53	43	36.4	29.8	21.5	15.5	11.1	8.1														
26.5			195	183	148	105	80	63	51	42	35.5	28.9	20.4	14.4	10	6.7														
31.7					140	104	82	66	55	47	41	35	26.7	20.8	16.5	13	10.3	8.2	6.4	5	3.9									
36.9						97	77	63	53	45.5	39.8	34	26.5	20.7	16.3	12.9	10.1	7.9	6	4.6										
42.1							70	58	49	42	37	32	24.7	19.6	15.5	12	9.3	7	5.1											
47.3								53	44.5	38.5	33.8	29	22.5	17.6	13.9	10.6	7.8	5.5												
50									43	37	32.6	28.2	21.9	17.2	13.6	10.5	7.8	5.4												

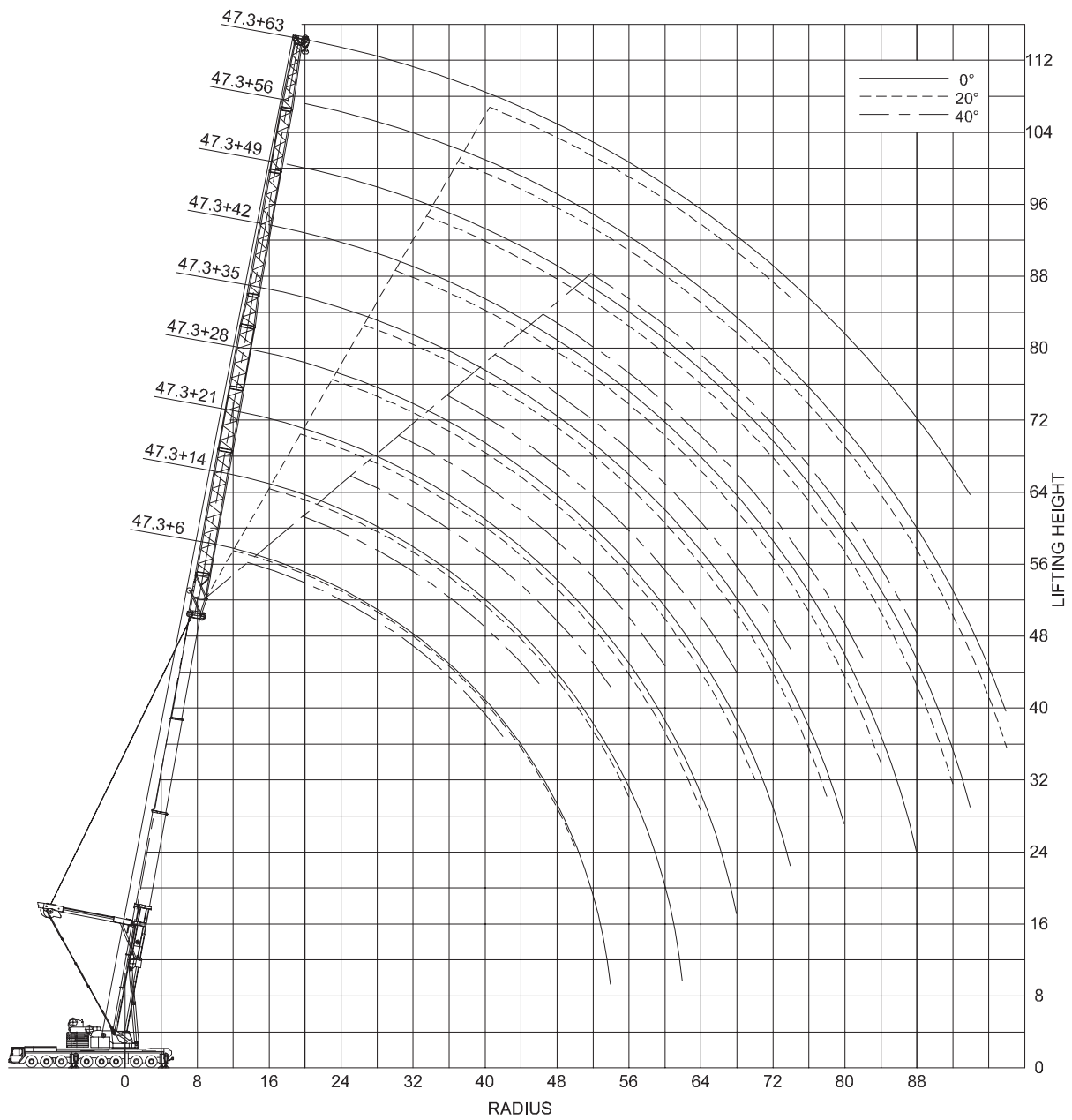
Guyed main boom

- Outrigger base: 10×9.6 m
- Ballast: 165 - 30 t

Boom length (m)	Ballast (t)	Radius (m)																											
		5	6	7	8	9	10	11	12	14	16	18	20	22	24	26	28	30	32	34	36	38	40	42	44	46	48		
32	45	190	184	170	150	132	117	103.5	90	71	58	47.5	39	32.5	27.1	22.9	19.1	15.8											
	135	190	184	179	174	162	148	135.5	123	105	90	78	69	61	54	48	43.5	38											
37	45		185	162	142	125	108	95.5	83	66	53	44	36.5	31	25.9	21.6	17.8	14.7	12.1	9.8									
	135		193	180	166	153	141	131.5	122	104	89	77	67	59	53	47	42	38	34	31									
42	45			135	132	120	104	92.5	81	65	53	44	37	31.5	26.9	23.1	19.7	16.5	13.9	11.6	9.6	7.9	6.4						
	135			167	155	144	134	125.5	117	104	90	78	69	61	54	48.5	43.5	39	35.5	32	29.3	26.7	24.5						
47	45				112	112	100	89.5	79	64	53	44.5	37.5	32	27.7	24	20.8	18	15.4	13.1	11.1	9.4	7.8	6.4	5.2	4.2			
	135				142	134	126	118.5	111	100	89	79	70	62	55	49.5	44.5	40.5	36.5	33.5	30.5	27.9	25.6	23.5	21.7	15			
50	45				120	112	98	87.5	77	63	52	44	37.5	32	27.6	23.9	20.7	18	15.7	13.4	11.4	9.7	8.1	6.7	5.5	4.4	3.4		
	135				120	120	120	114	108	97	88	78	69	62	55	49.5	45	40.5	37	33.5	30.5	28.1	25.8	23.7	21.8	20.1	17.7		

t = metric tons.

The content in this document is mentioned for reference use only. Values may differ from current data. Always contact Mammoet for current project calculations.



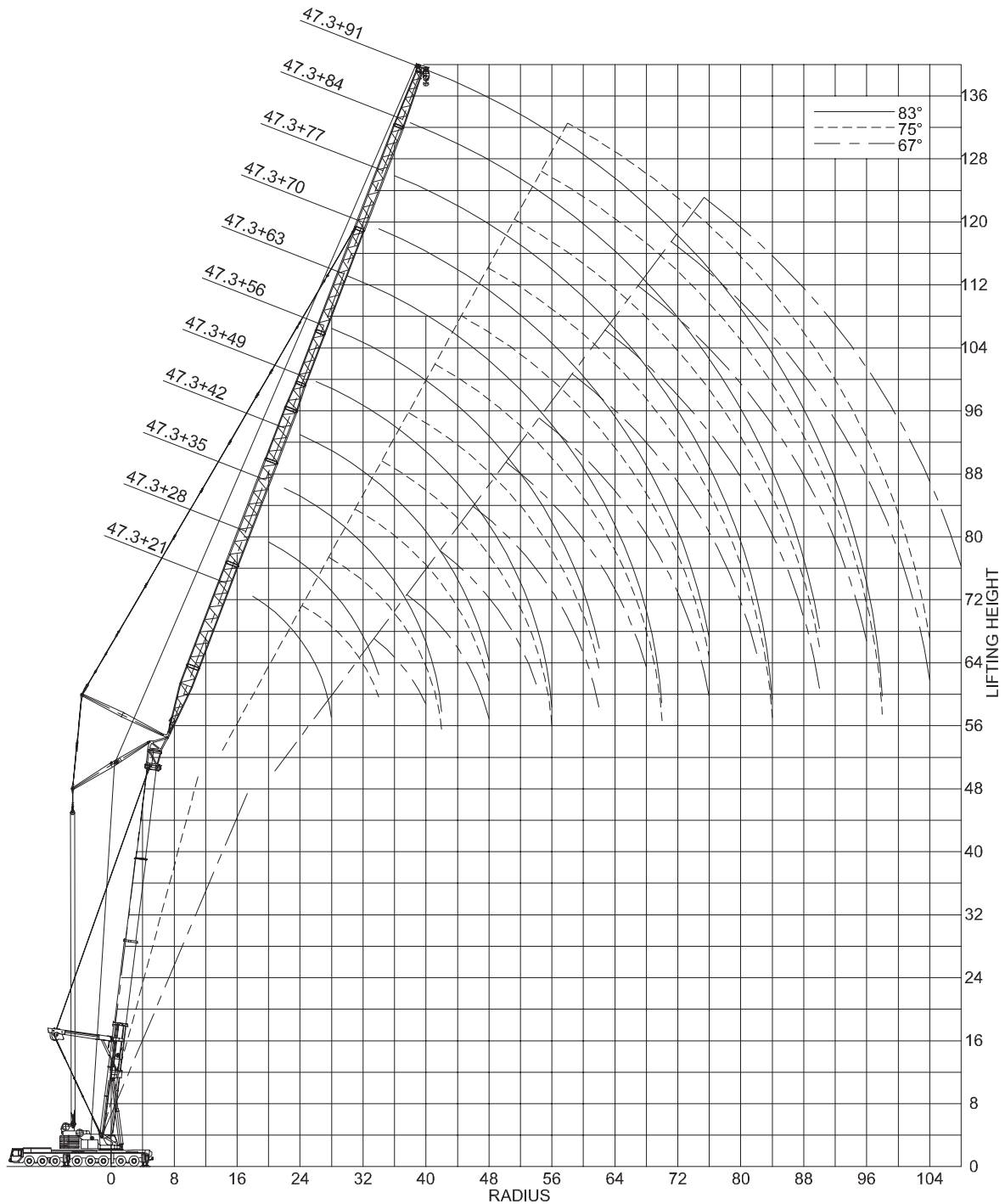
Dimensions are in meters.
 The content in this document is mentioned for reference use only. Values may differ from current data. Always contact Mammoet for current project calculations.

Main boom with fixed jib

- Outrigger base: 10x9.6 m
- Ballast: 135 - 15 t

Boom length (m)	Jib length (m)	Jib offset (°)	Radius (m)																																		
			4	4.5	5	6	7	8	9	10	11	12	14	16	18	20	22	26	30	34	38	42	46	50	54	58	62	66	70	74	78	82	86	90			
16.1	6	0	130	130	130	130	121	114	107	99	88.5	78	60	50	42	35.5	30.5																				
		20				74	67	61	56	52	48.5	45	39.5	35.5	32	29.4	27.3																				
		40					40.5	38.5	36.5	35	33.8	32.5	30	28.3	27.1																						
14	0	0		90	85	77	70	64	60	55	51.8	48.5	43	39	35.5	32.5	29.7	25.8	21.7																		
		20										39.5	38	36.5	33.5	31	29.2	27.4	26.1	24	21.6																
		40															27.6	26.3	25.2	24.3	23.6	23															
21	0	0				70	64	60	55	52	48.5	45	40.5	36	32	28.5	25.8	21.2	17.7	15.3	13.1																
		20															29.8	27.4	25.4	23.7	22	18.7	16.4	14.6													
		40																	17.2	16.4	15.1	14.2	14														
28	0	0					51	47.5	44.5	41.5	39.3	37	33	29.6	26.7	24.1	21.9	18.4	15.3	12.8	11.2	9.8															
		20																																			
		40																																			
35	0	0								39	36.5	34.5	32.5	30.5	27.7	25.1	22.9	20.8	18.8	15.9	13.6	11.5	9.6	8.4	7.4	6.4											
		20																																			
		40																																			
36.9	6	0						107	100	93	87.5	82	73	66	59	54	49	41	35	30.5	26.5	22.6															
		20																																			
		40																																			
14	0	0								66	63	60.5	58	54	50	46.5	43.5	40.5	36	32.5	28.1	24.3	21.6	19.5	17.4												
		20																																			
		40																																			
35	0	0																																			
		20																																			
		40																																			
42	0	0																																			
		20																																			
		40																																			
49	0	0																																			
		20																																			
		40																																			
56	0	0																																			
		20																																			
		40																																			
63	0	0																																			
		20																																			
		40																																			
47.3	21	0																																			
		20																																			
		40																																			
28	0	0																																			
		20																																			
		40																																			
35	0	0																																			
		20																																			
		40																																			
42	0	0																																			
		20																																			
		40																																			
49	0	0																																			
		20																																			
		40																																			
56	0	0																																			
		20																																			
		40																																			
63	0	0																																			
		20																																			
		40																																			
50	6	0																																			
		20																																			
		40																																			
56	40	0																																			
		20																																			
		40																																			
63	0	0																																			
		20																																			
		40																																			
63	20	0																																			
		20																																			
		40																																			

t = metric tons.



Dimensions are in meters.
The content in this document is mentioned for reference use only. Values may differ from current data. Always contact Mammoet for current project calculations.

Guyed main boom with luffing jib

- Outrigger base: 10×9.6 m
- Ballast: 165 - 30 t
- Boom angle: 83°, 75°, 67°

Boom length (m)	Jib length (m)	Radius (m)																									
		16	18	20	22	24	26	28	30	34	38	42	46	50	54	58	62	66	70	74	78	82	86	90	94	98	
36.9	21	92	84	77	72	67	62																				
	28		80	74	69	64	61	57	52																		
	35			71	66	62	58	55	52	45	40																
	42				61	59	56	52	49.5	44.5	39.5	35	31.5														
	49					50	49.5	48.5	47	42.5	38.5	34.5	31	27.9	22.3												
	56								38	37	35.5	34	32	30.5	27.4	24.9	22.7										
	63									32	31.5	30.5	29.6	28.6	27.8	27.2	24.6	22.4	20.5	17.4							
	70										25.1	23.5	22	20.6	19.4	18.3	17.6	16.9	16.2	15.6	15.1	12.5					
	77											21	20.3	19.4	18.4	17.5	16.7	16.1	15.6	15.1	14.6	14.1	13.5	9.5			
84												15.6	14.7	13.8	13	12.3	11.7	11.2	10.7	10.3	9.9	9.5	9.3	9			
91													13.3	12.6	12	11.4	10.9	10.4	10	9.6	9.3	9	8.7	8.4	8.2	8	7.6
42.1	21	85	78	72	68	64	61																				
	28		75	69	64	60	57	54	52	45																	
	35			65	62	58	54	51	48.5	44.5	39																
	42				55	53	51	49	46.5	42	38.5	34.5	31														
	49					45.5	44	43	39.5	36.5	34	30.5	27.5	25													
	56						35.5	35	34	32.5	31.5	30	27.1	24.6	22.4	18.3											
	63								29.3	28.7	28.1	27.2	26.5	26.1	24.1	21.9	20	18.4									
	70									22.8	21.6	20.4	19.3	18.3	17.5	16.8	16.2	15.7	15.2	14.8							
	77										18.6	18.6	18.6	18.1	17.3	16.5	15.9	15.4	15	14.5	14.1	13.6	11.4				
84											14.8	14.3	13.6	12.9	12.2	11.6	11.1	10.7	10.3	9.9	9.6	9.2	9	8.1			
91												11.7	11.8	11.7	11.2	10.7	10.3	9.8	9.5	9.2	8.9	8.6	8.4	8.1	7.9	7.8	
47.3	21		72	67	62	59	57	56																			
	28			64	60	56	52	49.5	48	44.5																	
	35				56	53	50	47.5	45	41	38.5	34.5															
	42					48	46	44	42.5	38.5	35.5	34	30.5														
	49						41	40	38.5	36	33.5	31	29.6	26.9	24.4												
	56							33	33	32	31	29	27.8	26.5	24	21.9	20.1										
	63								25.7	25.7	25.7	25.7	24.8	23.9	23.2	21.4	19.6	17.9	15.4								
	70									20.3	20.3	20	19	18	17.2	16.6	16.1	15.6	15.1	14.8							
	77										16.7	17.3	17.3	17	16.3	15.7	15.3	14.8	14.4	14	13.2	12.2					
84											13	13.3	13.4	12.8	12.1	11.6	11.1	10.6	10.3	9.9	9.6	9.2	9	8.9			
91												9.8	10.1	10.4	10.4	10.2	9.8	9.4	9.1	8.9	8.6	8.4	8.1	7.9	7.8	6.9	

t = metric tons.

The content in this document is mentioned for reference use only. Values may differ from current data. Always contact Mammoet for current project calculations.

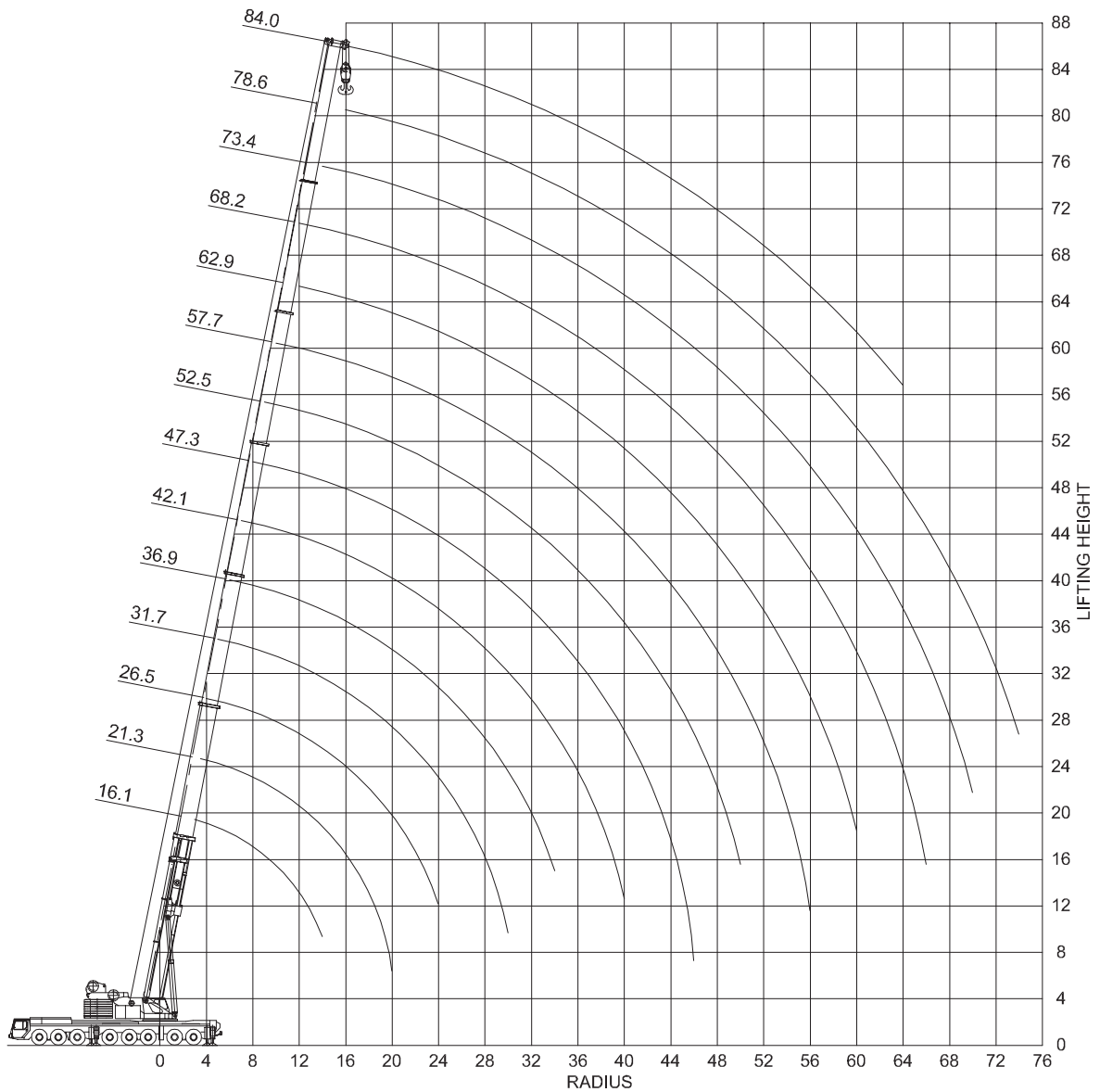
Guyed main boom with luffing jib

- Outrigger base: 10×9.6 m
- Ballast: 165 - 30 t
- Boom angle: 83°, 75°, 67°

Boom length (m)	Jib length (m)	Radius (m)																								
		16	18	20	22	24	26	28	30	34	38	42	46	50	54	58	62	66	70	74	78	82	86	90	94	98
36.9	21	94	86	78	72	67	61																			
	35			75	69	65	60	55	51	44.5	39.5															
	42				65	62	58	55	51	44	39	34.5	31													
	56						41.5	41	40	38	35.5	33.5	30	27.2	24.7	22.6										
	70								26.6	24.8	23.1	21.7	20.4	19.2	18.3	17.5	16.7	16	15.4	12.4						
	84										16.6	15.5	14.5	13.6	12.9	12.1	11.6	11	10.6	10.1	9.6	9.3	9.1			
91										14.5	13.6	12.9	12.1	11.5	10.9	10.3	9.9	9.5	9.2	8.8	8.5	8.2	8	7.6		
42.1	21	88	81	74	70	65	60																			
	35			69	65	61	57	53	51	44	39															
	42				60	57	55	52	49	43.5	38.5	34	30.5													
	56							39	38.5	37	35.5	33	29.5	26.6	24.1	22	18.3									
	70									24.4	22.9	21.5	20.3	19.1	18.2	17.4	16.7	16	15.3	14.8						
	84										16.4	15.4	14.4	13.6	12.8	12.1	11.5	11	10.6	10.1	9.7	9.3	9	8		
91										14.2	13.4	12.7	12	11.4	10.8	10.3	9.9	9.5	9.1	8.8	8.5	8.2	7.9	7.8		
47.3	21		75	70	65	61	59	55																		
	35				60	56	53	50	47	43	38	34														
	42					53	50	48	45.5	41	37.5	33.5	30													
	56							37	36.5	35.5	34	32	29.1	26.2	23.8	21.7	19.8									
	70									24	22.6	21.4	20.2	19.1	18.2	17.4	16.7	16.1	15.4	14.7						
	84										16.1	15.1	14.3	13.5	12.7	12	11.4	11	10.5	10.1	9.7	9.3	9	8.9		
91											12.6	12.2	11.6	11.1	10.6	10.1	9.7	9.4	9	8.7	8.5	8.2	7.9	7.8	6.4	

t = metric tons.

The content in this document is mentioned for reference use only. Values may differ from current data. Always contact Mammoet for current project calculations.



Dimensions are in meters.
 The content in this document is mentioned for reference use only. Values may differ from current data. Always contact Mammoet for current project calculations.

Main boom

- Outrigger base: 10×9.6 m
- Ballast: 165 - 0 t

Boom length (m)	Ballast (t)	Radius (m)																													
		3	3.5	4	4.5	5	6	7	8	9	10	11	12	14	16	18	20	22	24	26	28	30	32	34	38	42	46	50	54	58	
16.1	165	Special	500	400	325	262	261	231	206	186	170	155	142	128	107																
	135		500	400	325	262	255	226	202	182	162	145	132	119	100																
165	165	Rear	274	274	274	274	268	238	213	193	176	161	147	133	113																
	135		274	274	274	274	262	233	209	189	168	150	137	124	105																
105			274	274	274	274	257	228	201	175	156	140	128	115	97																

Ballast (t)	Boom length (m)	Radius (m)																																										
		3	3.5	4	4.5	5	6	7	8	9	10	11	12	14	16	18	20	22	24	26	28	30	32	34	38	42	46	50	54	58	62	66	70											
135	16.1	262	262	262	261	245	216	192	173	156	141	129	117	99																														
	21.3		262	262	259	243	214	190	170	153	138	126	114	97	82	71	56																											
	31.7					183	168	154	143	132	122	114	106	92	80	69	59	52	45	40	35	29.9																						
	42.1							116	107	100	94	88.5	83	73	63	55	49.5	45	40.5	36.5	33.5	31	28.1	25	19.8																			
	47.3								93	87	81	76.5	72	63	57	50	45	40	36.5	34	31.5	28.9	26.6	24.5	20.3	16.1																		
	52.5									73	69	66	63	57	52	46	41.5	37.5	34	30.5	28.1	26	24	22.2	18.9	15.9	13.2																	
	57.7										60	57	54	49.5	45	41.5	38	35	32	28.9	26.8	24.8	23	21.4	18.3	15.6	13.1	10.8	8.5															
	62.9												46.5	43	39	36	33	30.5	28.2	25.9	24	22.2	20.6	19	15.8	13.2	11.2	9.4	7.7	6.2														
	68.2													41	38	35	32.5	30	27.8	25.9	24.1	22.5	20.7	19	17.5	15	13	10.9	8.9	7.6	6.4	5.3												
	73.4														33.5	31	28.8	26.8	24.9	23.2	21.6	20.2	18.6	17.3	16.1	13.9	12	10.1	8.7	7.5	6.4	5.3	4.3	3.4										
	78.6																27.4	25.8	24.2	22.6	21.1	19.8	18.6	17.4	16.3	15	12.9	11.2	9.5	8.1	7.2	6.3	5.4	4.5	3.7									
	84																	20.9	19.5	18.2	16.8	15.6	14.4	13.4	12.4	11.4	10.2	8.4	6.9	5.5	4.2	3.5	2.8	2.2										

t = metric tons.

The content in this document is mentioned for reference use only. Values may differ from current data. Always contact Mammoet for current project calculations.

Main boom

- Outrigger base: 10x6.3 m
- Ballast: 165 - 0 t

Ballast (t)	Boom length (m)	Radius (m)																																				
		3	3.5	4	4.5	5	6	7	8	9	10	11	12	14	16	18	20	22	24	26	28	30	32	34	36	38	40	42	44	46	48	50	54					
15	16.1	261	238	218	194	171	129	90	68	53	42.5	35.5	28.4	19.2																								
	21.3		236	216	191	166	114	84	65	50	39.5	32.4	25.3	16.1	9.7																							
	31.7					135	98	75	59	47.5	38.5	32.5	26.4	17.3	10.8																							
	42.1								65	52	42.5	35.5	30	24.5	17.1	11.1																						
	47.3									46.5	38	31	26.2	21.4	14.5	8.7																						
	52.5										47	40.5	36	31.5	24.9	19.9	16.1	13	10	7.6	5.5																	
	57.7											37	32.9	28.8	22.7	18.1	14.5	11.6	8.8	6.4	4.5																	
	62.9													26.3	20.8	16.5	13.2	10.4	7.8	5.3																		
	68.2														23.5	18.5	14.5	11.4	8.8	6																		
	73.4															16.2	12.6	9.7	7.3																			
	78.6																10.5	7.8																				
	84																	9.5	7																			

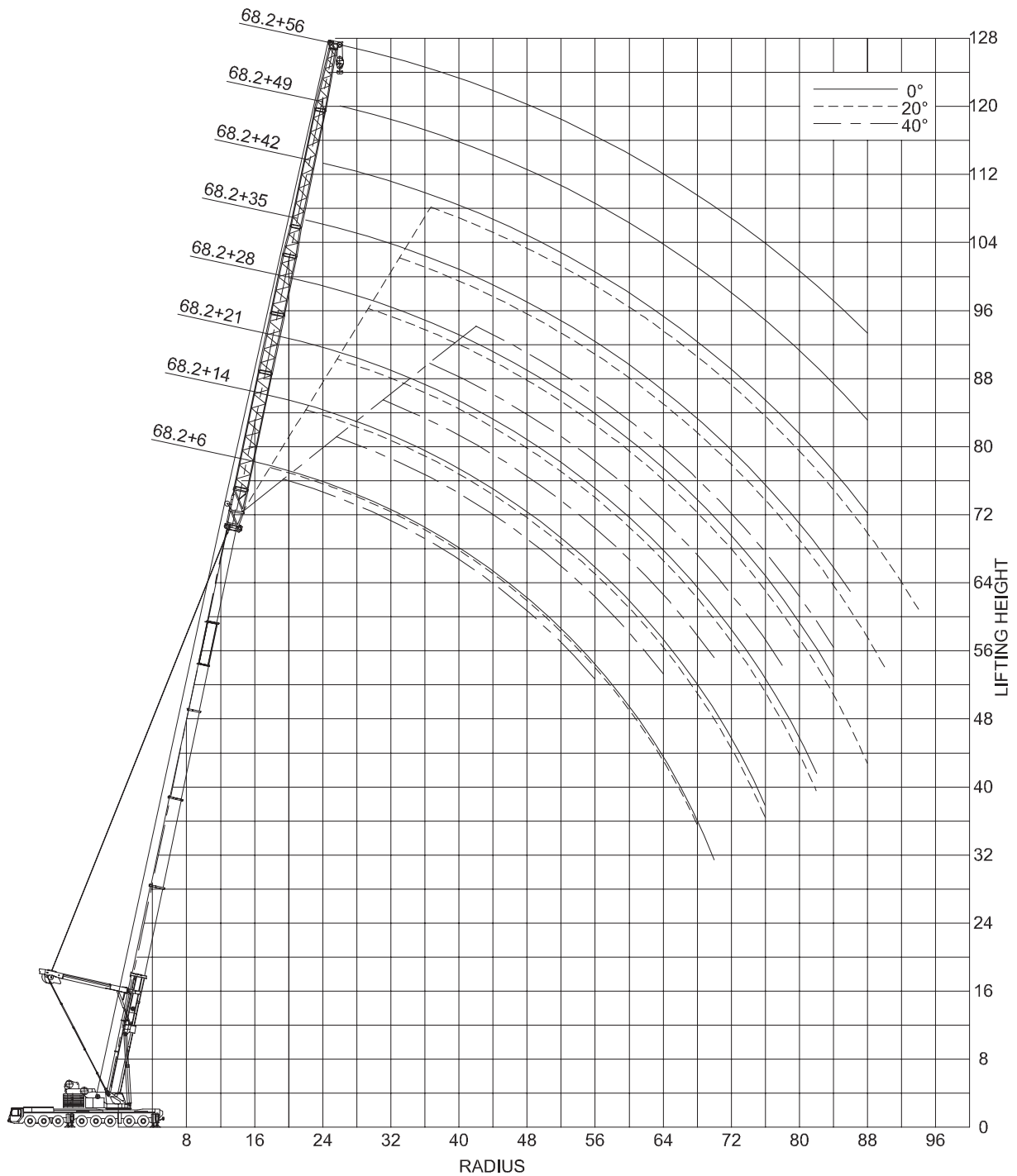
Guyed main boom

- Outrigger base: 10x9.6 m
- Ballast: 165 - 0 t

Ballast (t)	Boom length (m)	Radius (m)																																							
		4.5	5	6	7	8	9	10	11	12	14	16	18	20	22	24	26	28	30	32	34	36	38	40	42	44	46	50	54	58	62	66	70								
165	31.7		204	198	190	170	154	140	130	120	103	88	76	67	58	51	45.5	40.5	28.9																						
	36.9			167	162	157	147	135	125	114	99	87	75	66	58	51	44.5	39.5	35	31	25.9																				
	42.1				127	123	119	115	112	108	96	84	75	66	58	51	45	40	35.5	32	28.3	25.2	22.4	15																	
	47.3					121	117	113	109	105	92	82	73	66	59	52	46	41	36.5	32.5	29.1	26	23.3	20.8	18.6	14.6															
	52.5						111	107	104	101	91	81	74	67	61	55	49.5	44.5	40	36	32.5	29.4	26.6	24.2	21.9	19.9	18.1														
	57.7							96	93.5	91	86	77	69	63	57	53	48	43.5	39	35	31.5	28.6	25.8	23.3	21.1	19	17.2	13.9	9.3												
	62.9								81	77	74	69	65	60	55	51	47	43	39.5	36	33	30.5	27.8	25.6	23.5	21.7	18.4	15.6	12.6												
	68.2									70	66	63	59	54	50	46.5	43	39.5	36.5	33	30.5	27.9	25.4	23.2	21.1	19.3	16	13.2	10.9	8.5											
	73.4										62	59	57	54	52	49	45.5	42	39	36.5	33.5	30.5	28.3	26	24	22	20.1	16.8	14.1	11.7	9.6	7.8									
	78.6											52	49.5	47.5	45.5	44	42	40	38.5	36	33.5	31	28.7	26.5	24.6	22.8	21.1	17.8	15.1	12.7	10.6	8.7	7								
	84												44	42	40.5	38.5	36.5	35	33.5	32	30.5	29.4	28.1	26.9	25.8	24.2	22.5	20.8	17.9	15.2	12.8	10.8	8.9	7.3							

t = metric tons.

The content in this document is mentioned for reference use only. Values may differ from current data. Always contact Mammoet for current project calculations.



Dimensions are in meters.
 The content in this document is mentioned for reference use only. Values may differ from current data. Always contact Mammoet for current project calculations.

Main boom with fixed jib

- Outrigger base: 10×9.6 m
- Ballast: 135 - 15 t

Boom length (m)	Jib length (m)	Jib offset (°)	Radius (m)																													
			4	5	6	7	8	9	10	12	14	16	18	20	22	26	30	34	38	42	46	50	54	58	62	66	70	74	78			
16.1	6	0	124	107	93	81	73	67	62	52	44.5	38	34	30.5	27.8																	
		20			63	57	53	49.5	46	41	37	33	30.5	28.7	27.2																	
		40					38.5	36.5	35	32.5	30	28.3	27.1																			
28	0	0				37	33.5	31	28.3	24	20.8	18.3	16.3	14.6	13	10.2	7.9	6.5	5.5	4.7												
		20											13.6	12.2	10.9	9.9	8.3	7	5.8	5.1	4.6											
		40														7.2	6.2	5.4	4.9													
35	0	0					28.1	25.9	24	20.7	17.9	15.6	14	12.6	11.4	9.2	7.3	5.5	4.6	3.9	3.3	2.9										
		20													9.9	8.9	7.2	6	5.1	4.3	3.7	3.2	2.9									
		40															4.9	4.2	3.7	3.3	3											
42	0	0					22.4	20.7	18	15.8	13.9	12.2	11	10	8.3	6.8	5.4	4.1	3.3	2.8	2.4											
		20														6.2	5	4.2	3.6	3.1	2.6											
49	0							17	14.8	13.1	11.5	10.2	9	8.1	6.7	5.5	4.5	3.6														
56	0								12.3	10.8	9.6	8.5	7.5	6.6	5.3	4.3	3.4															
47.3	6	0					69	64	58	52	47.5	43	39	35.5	29.8	24.9	20.3	16.2	13.5	11.2	9.2											
		20								52	49	45.5	42	38.5	35.5	29.8	24.8	20.2	16.5	13.7	11.4											
		40									35.5	34	33	32	31	29.4	24.8	20.4	16.9	14.1												
14	0	0								44	40	37	34.5	32	30	26.7	23	19.6	16.5	13.4	11.1	9.3	7.6	6.2								
		20										25.3	23.8	22.5	21.3	19.2	17.7	16.3	15.1	13.8	11.6	9.6	7.9									
		40											17.5	16.9	15.8	14.8	14.1	13.5	13	12												
21	0	0							32	29.4	27.2	25.2	23.4	21.8	19.3	17.3	15.6	13.9	12.4	10.9	9.1	7.6	6.3	5.1	4.3							
		20												17.2	16.2	15.3	13.7	12.3	11.3	10.4	9.6	8.9	8.3	7.8	6.7	5.5						
		40															10.8	10.1	9.4	8.9	8.4	8.1	7.7	7.6								
28	0	0								23.1	21.3	19.7	18.4	17.1	14.9	13.4	12	10.9	9.7	8.6	7.5	6.6	6	5.2	4.2	3.4						
		20														12.1	10.8	9.6	8.6	7.8	7.2	6.6	6	5.5	5.1	4.9	4.6	3.8				
		40																7	6.4	6	5.5	5.3	5	4.8	4.6							
35	0	0									18.1	16.6	15.4	14.3	13.4	11.7	10.3	9.2	8.3	7.5	6.7	5.9	5.2	4.5	4.1	3.7	3.3	2.6	1.9			
		20															8.3	7.3	6.5	5.8	5.3	4.8	4.4	4.1	3.7	3.4	3.2	3	2.9	2.3		
		40																	4.3	4	3.7	3.5	3.3	3.1	3	2.9	2.9	2.8				
42	0	0										13.3	12.3	11.4	10.6	9.3	8.1	7.2	6.4	5.8	5.2	4.6	4.1	3.6	3.1	2.8	2.5	2.3	1.8			
		20																5.8	5.1	4.6	4.1	3.7	3.3	3.1	2.8	2.5	2.3	2.1	1.9	1.8		
49	0										10.2	9.4	8.7	7.6	6.6	5.7	5	4.4	3.9	3.4	3	2.5	2.2									
56	0											8	7.3	6.7	5.8	4.9	4.2	3.6	3	2.6												
68.2	21	0											17.5	16.3	15.2	13.3	11.6	9.9	8.5	7.2	6	4.9	4	3.1	2.3							
		20																13	11.8	10.5	9.2	7.8	6.6	5.6	4.6	3.7	2.9	2.1				
		40																		9.8	9.3	8.9	8.4	7.4	6.3	5.2	4.3	3.4	2.6			
28	0	0											14.8	13.8	12.8	11.3	9.9	8.6	7.3	6.1	5.1	4.2	3.3	2.5								
		20																	9.1	8.4	7.8	7.1	6.2	5.2	4.3	3.5	2.7	2				
		40																			5.9	5.6	5.3	5.1	4.9	4	3.2	2.4	1.7			
35	0	0											11.8	11	9.6	8.5	7.6	6.6	5.5	4.6	3.7	3	2.3									
		20																			6.2	5.7	5.2	4.8	4.5	3.8	3.1	2.4				
		40																				3.9	3.7	3.5	3.3	3.2	3	2.3				
42	0	0												8.7	7.9	7.1	6.3	5.6	4.8	3.9	3.2	2.5										
		20																				4.2	3.8	3.5	3.3	3	2.7	2.1				
49	0														5.7	5.1	4.6	4.1	3.7	3												
56	0															4.1	3.5															

t = metric tons.

The content in this document is mentioned for reference use only. Values may differ from current data. Always contact Mammoet for current project calculations.

Boom length (m)	Jib length (m)	Jib offset (°)	Radius (m)																											
			4	5	6	7	8	9	10	12	14	16	18	20	22	26	30	34	38	42	46	50	54	58	62	66	70	74	78	
78.6	6	0													19.5	18	16.8	15.7	13.8	11.9	10.1	8.6	7.3	6.1	5	4	3.1	2.3		
		20														18.1	16.9	15.7	13.8	12.1	10.4	8.8	7.4	6.2	5.1	4.1	3.2	2.4		
		40															17.1	15.9	13.9	12.2	10.6	9	7.6	6.4	5.3	4.2	3.3	2.5		
14	0	0													14.8	13.7	12.8	11.2	9.9	8.6	7.2	6	4.9	4	3.1	2.3				
		20																	11.5	10	8.8	7.7	6.5	5.4	4.4	3.5	2.7	1.9		
		40																		10.4	9.1	8	7	6	5	4	3.2	2.4		
21	0	0														11.5	10.7	9.3	8.2	7.2	6.3	5.2	4.3	3.4	2.7					
		20																		8.7	7.6	6.6	5.8	5	4.1	3.3	2.5			
		40																			8.1	7.1	6.2	5.4	4.6	3.8	3	2.2		
28	0	0														8.9	7.7	6.7	5.9	5.1	4.3	3.5	2.7							
		20																			6.5	5.6	4.8	4.1	3.5	2.8	2.1			
		40																				5.3	4.6	3.9	3.3	2.7	2			
35	0	0															6.4	5.5	4.7	4.1	3.4	2.8								
		20																			4.7	4	3.4	2.8	2.3					
		40																				3.5	3.3	2.8	2.3					
42	0																5.2	4.4	3.8	3.2	2.6									
	20																				3.3	2.8	2.3							

T6AYF Guyed main boom with fixed jib

- Outrigger base: 10×9.6 m
- Ballast: 165 - 45 t

Boom length (m)	Jib length (m)	Jib offset (°)	Radius (m)																											
			9	11	12	14	16	18	20	24	26	28	30	32	34	36	38	40	42	46	50	58	66	74	82	90				
47.3	6	0	93	92	91	82	74	67	61	50	45.5	40.5	36	32.5	28.8	25.7	22.9	20.4	18.2	14.3	10.5									
		20			65	61	57	53	50	44.5	42	40	37.5	33.5	29.8	26.6	23.8	21.2	18.8	14.8										
		40			38.5	37	35.5	34.5	33.5	31.5	30.5	29.8	29.1	28.5	27.9	27.2	24.3	21.6												
14	0	0		64	61	57	54	51	48	43	40.5	38.5	37	34.5	31	28.1	25.4	22.9	20.6	16.7	13.4	7.4								
		20				31.5	30.5	29.4	27.8	27.1	26.5	25.9	25.4	25	24.5	24.1	23.8	22.3	18.1	14.5										
		40							20.1	19.8	19.7	19.6	19.6	19.5	19.5	19.5	19.5	18.9												
21	0	0			46	42.5	39.5	37.5	35	31	29.5	27.9	26.6	25.3	24	22.8	21.7	20.8	20	18.2	14.9	9.7	4							
		20						19.5	18.7	17.4	16.9	16.4	15.9	15.5	15.1	14.8	14.5	14.2	13.9	13.5	13.2	10.9								
		40								11.7	11.5	11.4	11.3	11.1	11.1	11	11	11	11	11	11									
28	0	0				31.5	29.2	27.4	25.7	23	21.7	20.4	19.3	18.4	17.5	16.7	15.8	15	14.3	13.2	12.2	10.5	6.8							
		20								11.9	11.4	11	10.6	10.3	10	9.7	9.4	9.2	9	8.6	8.2	7.9	7.6							
		40											7	6.8	6.7	6.6	6.4	6.4	6.3	6.3	6.3	6.3								
35	0	0				24.5	22.7	21.2	19.9	17.8	16.8	15.8	14.9	14	13.3	12.7	12.2	11.5	10.9	9.8	9	7.7	6.6	4.7						
		20									8.6	8.2	7.9	7.5	7.2	6.9	6.6	6.4	6.2	5.9	5.6	5.1	4.9	4.7						
		40																												
42	0	0					17.5	16.3	15.3	13.6	12.9	12.1	11.5	10.8	10.2	9.6	9.2	8.8	8.3	7.5	6.7	5.6	4.7	4.2	2.9					
		20																												
		40																												
57.7	6	0				69	68	65	60	55	46.5	43	39.5	36.5	33	30	27.1	24.5	22	19.8	15.9	12.6	7.5							
		20																												
		40																												
28	0	0					29.1	27.3	25.9	23.5	22.5	21.6	20.7	19.9	19.1	18.3	17.7	17.1	16.6	15.3	14.2	10.9	7	4.2						
		20																												
		40																												
35	0	0						21.1	19.9	18	17.2	16.4	15.7	15.1	14.5	13.9	13.4	12.8	12.4	11.5	10.6	9.1	7.8	4.8	2.6					
		20																												
		40																												
42	0	0							15.2	13.7	13.1	12.5	12	11.5	11	10.5	10	9.6	9.2	8.5	7.9	6.5	5.7	5	3.1					
		20																												
		40																												
49	0	0								11.9	10.6	10.1	9.6	9.2	8.7	8.3	7.9	7.6	7.2	6.9	6.2	5.7	4.8	4	3.5	3	1.4			
		20																												
56	0	0									7.8	7.4	6.9	6.6	6.2	5.9	5.6	5.3	5	4.7	4.2	3.8	3	2.4	2	1.6				
		20																												

t = metric tons.

The content in this document is mentioned for reference use only. Values may differ from current data. Always contact Mammoet for current project calculations.

Boom length (m)	Jib length (m)	Jib offset (°)	Radius (m)																											
			9	11	12	14	16	18	20	24	26	28	30	32	34	36	38	40	42	46	50	58	66	74	82	90				
68.2	6	0				50	49.5	47.5	45	40.5	38.5	36	33.5	31.5	29.2	27.2	24.8	22.7	20.6	17.1	13.9	8.7	4.9							
		20					50	47.5	45	40	37.5	35.5	33	31	29.1	27.3	25.6	23.5	21.4	17.8	14.5	9.1	5.1							
		40						35.5	34.5	33	32.5	31.5	31	30.5	29.2	27.4	25.9	24.1	22	18.2	14.8									
	14	0				42	40.5	38	34.5	33	31.5	29.9	28.2	26.5	24.9	23.4	22	20.7	17.9	15	10	6.2	3.5							
		20							30.5	28.8	27.9	27.1	26.4	25.7	25	24.5	23.5	22.2	21	18.7	16.4	11.1	6.9	3.9						
		40								21.1	21.1	21.1	21.1	21.1	21	20.7	20.4	20.2	19.9	19.3	17.2	11.7								
	21	0						32	30.5	28.1	27.1	26.1	25.2	24.4	23.6	22.7	21.4	20.2	19.1	17	15.1	10.8	6.9	4.1	1.5					
		20								18.9	18.5	18.1	17.8	17.4	17.1	16.8	16.6	16.3	15.9	15.2	14.6	12.3	8.1	4.8	2.3					
		40												12.1	12	12	12	12	12	12	12	12	12	8.9						
	28	0							23.8	21.7	20.9	20.1	19.4	18.8	18.1	17.5	17	16.4	15.9	15	13.9	11.1	7.5	4.5	2.3					
		20											12.4	12.1	11.8	11.6	11.3	11.1	10.9	10.7	10.3	10	9.5	8.9	5.7	3.3				
		40															6.8	6.8	6.8	6.8	6.7	6.7	6.7	6.7	6.6					
49	0									9.6	9.2	8.8	8.5	8.1	7.8	7.6	7.3	7.1	6.6	6.1	5.3	4.6	4	3.1						
	56	0									6.8	6.4	6.1	5.8	5.5	5.3	5	4.8	4.6	4.2	3.8	3.2	2.6	2.2	1.8					
78.6	6	0					37	35.5	34	31	29.4	28.2	27.1	25.9	24.9	23.7	22.5	21.2	20	17.7	14.8	10	6.1	3.4						
		20						33.5	32.5	30.5	29.4	28.2	27.1	25.9	24.7	23.6	22.5	21.4	20.2	18.1	15.4	10.4	6.4	3.6						
		40							32.5	30	29.2	28.3	27.2	25.9	24.7	23.7	22.6	21.4	20.3	18.2	15.8	10.7								
	14	0					28.9	27.6	25.4	24.5	23.7	22.8	21.9	21.1	20.3	19.5	18.6	17.8	16.2	14.5	10.8	7.1	4.3	2						
		20							23	22.2	21.4	20.7	20.1	19.5	18.9	18.4	17.9	17.4	16.2	14.7	11.9	8	4.8	2.4						
		40									18.8	18.3	17.9	17.5	17.1	16.7	16.3	16	15.2	14.4	12.6	8.5								
	21	0						22.5	20.5	19.7	19	18.3	17.7	17.2	16.6	16.1	15.6	15.1	14.2	13.1	10.7	7.6	4.7	2.5						
		20									15.8	15.3	14.9	14.5	14.1	13.7	13.4	13	12.3	11.6	10.3	8.9	5.6	3.3						
		40												11.9	11.7	11.5	11.2	11	10.6	10.1	9.4	8.6	6.2							
	28	0							16.6	15.8	15.2	14.6	14	13.5	13.1	12.6	12.2	11.8	11.1	10.3	9.1	7.6	4.9	2.7						
		20												10.8	10.5	10.2	9.9	9.6	9.1	8.5	7.6	6.7	6	3.8	1.6					
		40															6.6	6.6	6.6	6.6	6.5	5.9	5.4	4.4						
	35	0								12.7	12.2	11.7	11.2	10.8	10.4	10.1	9.7	9.4	8.8	8.2	7.1	6.3	5.1	2.9						
		20															7.2	7	6.9	6.7	6.4	5.7	5.1	4.5	4	2.2				
	42	0									9.9	9.5	9.1	8.7	8.4	8.1	7.8	7.5	7	6.5	5.6	4.9	4.2	3.1						
		20																	4.4	4.2	4.1	3.8	3.5	3	2.4	1.7				

T6EY3EF Guyed main boom with fixed jib

- Outrigger base: 10x9.6 m
- Ballast: 165 - 45 t

Boom length (m)	Jib length (m)	Jib offset (°)	Radius (m)																												
			9	11	12	14	16	18	20	24	26	28	30	32	34	36	38	40	42	44	46	48	50	58	66	74	78	82	86	90	
47.3	6	0	93	89	87	84	74	67	60	49.5	45	40	35.5	31.5	28.3	25.2	22.4	19.9	17.6	15.6	13.8	12.1	10.1								
		20			65	61	57	54	51	46.5	44.5	41.5	37	33	29.3	26.1	23.2	20.7	18.3	16.2	14.2	12.5									
		40				42.5	41	40	38.5	37	36	35.5	34.5	33.5	30	26.7	23.7														
	14	0				74	69	64	61	57	48.5	45	41	37.5	34	30.5	27.7	24.9	22.4	20.1	18.1	16.2	14.5	13	6.9						
		20						40	39.5	38.5	36	34.5	33.5	32.5	31.5	30.5	29.9	26.9	24.3	21.9	19.7	17.6	15.8	14.1							
		40								24.7	24.7	24.4	23.9	23.5	23.2	22.8	22.6	22.3	22.1	22	20.7	18.5									
	21	0				53	49.5	46.5	43.5	41	37	35	33.5	32	30.5	29.1	27.8	26.2	23.9	21.7	19.6	17.7	16	14.5	9.2	3.6					
		20							24.7	24.3	24.1	23.9	23.5	22.7	22	21.3	20.7	20.1	19.6	19	18.6	18.1	16.3	10.5							
		40								13.5	13.6	13.8	14.1	14.4	14.5	14.4	14.3	14.1	13.9	13.7	13.5	13.4	13.3								
	28	0					38	35.5	33	31	27.9	26.4	25.3	24.1	22.9	21.8	20.9	20.1	19.2	18.3	17.6	17	16.3	15.6	10.3	6.4					
		20									14.7	14.4	14.2	14.1	13.9	13.8	13.7	13.6	13.6	13.4	13.3	13.2	13	12.8	11.5	7.7					
		40												8.8	8.8	8.8	8.8	8.8	8.8	8.8	8.8	8.8	8.8	8.8	8.8						
35	0						28.5	26.7	25.2	22.5	21.3	20.1	19.3	18.4	17.6	16.7	16	15.4	14.7	14.1	13.5	13	12.5	10.5	7.4	4.4	2.4				
	20									12.5	12.3	12	11.7	11.5	11.3	11.1	11	10.8	10.7	10.6	10.3	10.1	9.1	8.2	5.5	4.1					
	40															5.6	5.5	5.5	5.5	5.5	5.5	5.5	5.5	5.5	5.5						
42	0							23.7	22.2	20.9	18.6	17.7	16.8	15.9	15.2	14.5	13.9	13.2	12.5	12.1	11.6	11.1	10.7	10.2	8.6	7.2	4.9	3.9	2.6		
	20												8.8	8.5	8.3	8.1	8	7.8	7.7	7.5	7.4	7.3	7.2	6.6	5.9	5.3	5	3.8			

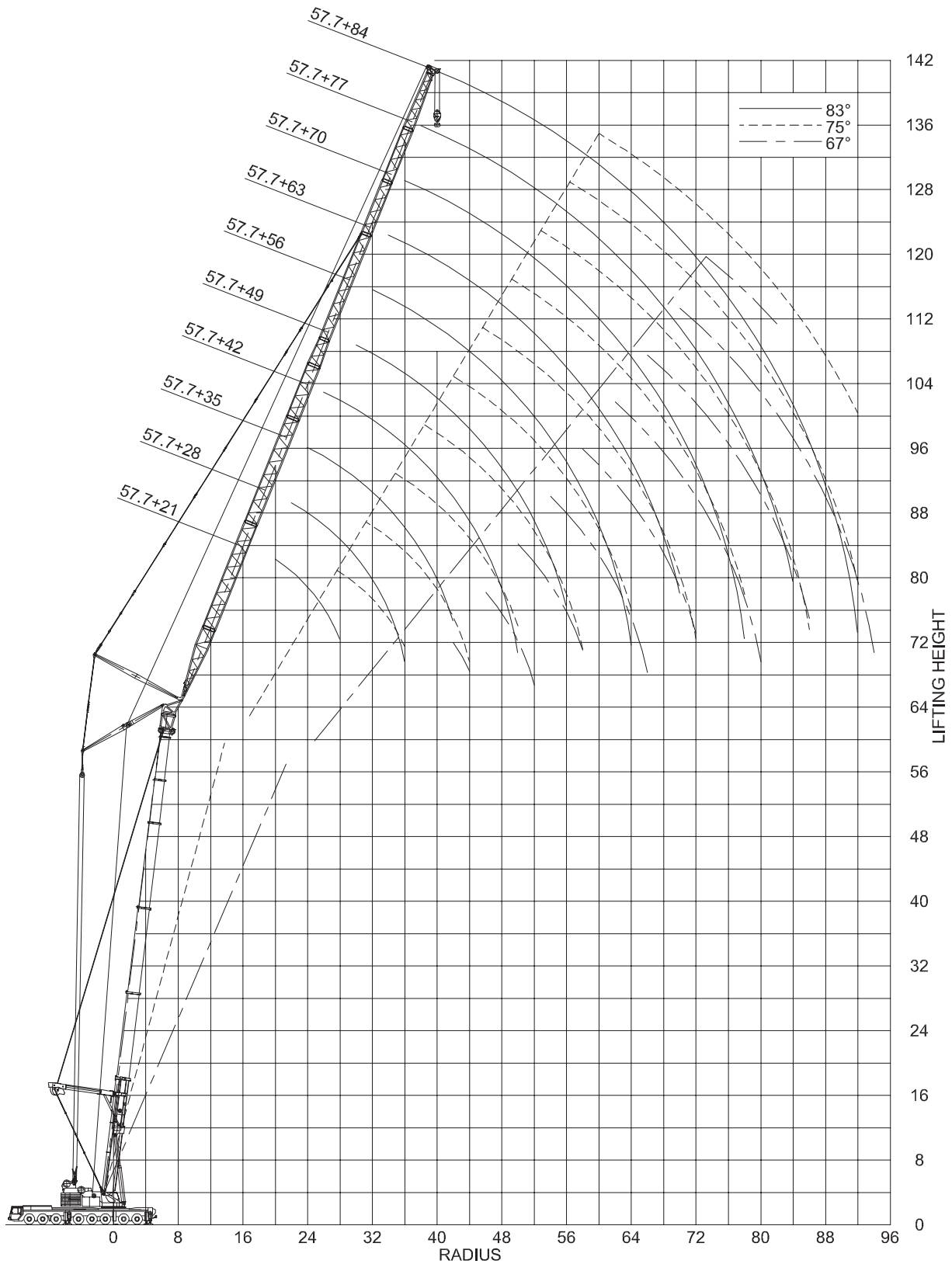
t = metric tons.

The content in this document is mentioned for reference use only. Values may differ from current data. Always contact Mammoet for current project calculations.

Boom length (m)	Jib length (m)	Jib offset (°)	Radius (m)																														
			9	11	12	14	16	18	20	24	26	28	30	32	34	36	38	40	42	44	46	48	50	58	66	74	78	82	86	90			
57.7	21	0					46.5	44	42	38	36.5	34.5	33	32	29.8	27.7	25.4	23.3	21.3	19.5	17.8	16.3	14.8	9.7	5.8	2							
		20									24.4	24.5	24.6	24.1	23.3	22.6	22.1	21.5	20.9	20.3	19.9	19.4	18.5	16.9	11.2	6.8							
		40											13.1	13.4	13.8	14.1	14.4	14.6	14.4	14.2	14	13.8	13.6	13.5	12.2								
	28	0					35.5	33.5	32	28.7	27.5	26.3	25	24.1	23.2	22.3	21.4	20.6	19.9	19.2	18.2	16.7	15.3	10.5	6.6	3.8	2						
		20										15.2	15.1	15.1	15.1	15.1	15.1	15.1	14.9	14.6	14.3	14	13.7	13.4	11.9	8.2	4.7	3					
		40												9	9.1	9.2	9.4	9.6	9.8	10	9.8	9.7	9.5	9	8.7								
	35	0						26	24.7	22.3	21.2	20.4	19.5	18.6	17.8	17.2	16.5	15.9	15.2	14.7	14.2	13.8	13.3	11.2	7.4	4.4	3.4	1.9					
		20												11.8	11.6	11.5	11.4	11.4	11.3	11.2	11.1	11	10.8	10.6	9.7	8.8	5.9	4.5	3.2				
		40																5.3	5.3	5.3	5.4	5.5	5.6	5.8	6.2	5.8	5.4						
42	0							21.5	20.4	18.4	17.6	16.7	16	15.3	14.6	14	13.5	13	12.5	12	11.5	11.1	10.7	9.3	7.8	4.8	3.7	2.7	1.6				
	20																8.2	8.1	8.1	8	7.9	7.8	7.8	7.7	7.6	7.1	6.3	5.7	5.2	4.1	3	1.8	
	40																																
68.2	6	0					60	56	52	43.5	40	37	34	31.5	28.2	25.5	23.2	20.9	18.6	16.6	15	13.3	11.7	6.3	1.9								
		20						55	52	44.5	40.5	37.5	34.5	32	29.8	27.2	24.7	22.1	19.7	17.9	16	14.2	12.4	6.8	2.2								
		40							39.5	37.5	37	36.5	35	32.5	30.5	28.1	25.7	23.2	20.8	18.6	16.7	14.8	13										
	14	0						48.5	46	40.5	38.5	36	33.5	31	28.7	26.7	24.8	22.7	20.8	19	17.4	15.6	14.2	8.6	4.3								
		20								36.5	35.5	34.5	33	32	29.9	27.9	26	24.2	22.6	20.7	19	17.4	15.9	10.2	5.3								
		40									24.7	24.5	24.2	23.9	23.6	23.3	23.1	22.9	22.7	22.1	20.3	18.5	17	11.1									
	21	0							38.5	35	33.5	31.5	30	28.4	26.9	25.7	24.2	22.7	21	19.3	17.7	16.2	14.9	9.8	5.3	1.6							
		20									24.1	24	23.6	23	22.4	21.9	21.3	20.8	20.4	19.9	19.5	18.4	16.9	11.9	7.1	2.9							
		40										12.6	13.1	13.6	14.1	14.6	14.4	14.2	14	13.9	13.7	13.6	12.5	7.8									
	28	0							29.3	27	26	24.9	24	23.2	22.4	21.6	20.8	20	19.2	18.4	17.5	16.4	15.1	10.6	6.8	3.2	1.5						
		20											14.6	14.7	14.9	15.1	15.2	15	14.7	14.4	14.1	13.8	13.5	12	8.8	4.7	2.9						
		40														8.7	8.9	9.2	9.6	9.8	9.7	9.7	9.6	9.1	8.7	5.5							
	35	0								21.7	20.8	20	19.2	18.5	17.9	17.2	16.6	16.1	15.6	15.1	14.7	14.2	13.7	10.8	7.4	4.4	2.9						
		20													10.9	10.9	11	11.1	11.1	11.1	11	10.9	10.8	9.9	9	6.2	4.6	3	1.5				
		40																		4.8	4.9	5	5.1	5.3	5.9	5.9	5.3	4.5	3.4				
	42	0								17.2	16.4	15.8	15.2	14.6	14	13.5	13.1	12.6	12.1	11.8	11.4	11	10.7	9	7.3	4.7	3.6	2.5	1.5				
		20																	7.5	7.5	7.6	7.6	7.6	7.6	7.3	6.5	5.9	5	4	2.9	1.8		
		40																															
	78.6	6	0						35	31.5	29.6	27.6	25.6	23.5	22	20.4	18.9	17.4	16.1	15	13.9	12.7	11.6	7	3								
			20							30.5	29.1	27.7	26.4	25	23.4	21.8	20.1	18.5	17.2	16	14.8	13.6	12.4	7.7	3.4								
			40								29.3	28.1	27	26	24.7	23.3	21.9	20.5	19	17.5	16.2	15	13.8	12.6	8								
		14	0								26.4	25.3	24.1	23.1	22.2	21.3	20.3	19.3	18.3	17.3	16.2	15.2	14.2	13.2	9.1	4.7							
			20									22.6	21.7	20.9	20.1	19.4	18.7	18	17.4	16.7	16	15.3	14.6	13.7	10	5.9	2.3						
			40											18.9	18.8	18.2	17.7	17.1	16.6	16.1	15.5	14.9	14.4	13.8	10.2	6.3							
		21	0								22	21	20.1	19.3	18.5	17.7	17	16.3	15.7	15.1	14.6	14	13.4	12.8	9.5	5.8	2.5						
			20											15.7	15.5	15.1	14.7	14.3	13.8	13.3	12.8	12.4	12	11.6	9.4	6.5	3.3	2.1					
			40													11.4	11.4	11.4	11.4	11.4	11.4	11.3	11.2	11.1	10.8	9.3	6.5	3.8					
28		0								17	16.3	15.6	15	14.3	13.7	13.2	12.7	12.1	11.7	11.3	10.8	10.4	8.2	5.5	2.5								
		20													10.3	10	9.8	9.7	9.5	9.4	9.2	9	8.8	7.4	5.3	3	1.9						
		40																6.2	6.1	6	5.9	5.9	5.9	5.8	5.1	2.6							
35		0										13.8	13.2	12.7	12.1	11.6	11.1	10.7	10.3	9.8	9.4	9.1	8.7	7.4	5.5	3.2	1.9						
		20																	6.6	6.4	6.2	6	5.9	5.8	5.7	5.3	4.7	2.7	1.7				
		40																				3.5	3.4	3.3	3.1	3	2.2						
42		0										12.5	12.3	11.8	11.3	10.9	10.4	10	9.6	9.3	8.9	8.5	8.2	7	6	4.8	3.7	2.3					
		20																				4.6	4.4	4.2	4.2	4.1	3.8	3.6	3.1	2.4	1.8		

t = metric tons.

The content in this document is mentioned for reference use only. Values may differ from current data. Always contact Mammoet for current project calculations.



Dimensions are in meters.
 The content in this document is mentioned for reference use only. Values may differ from current data. Always contact Mammoet for current project calculations.

Main boom with luffing jib

- Outrigger base: 10×9.6 m
- Ballast: 165 - 30 t
- Boom angle: 83°, 75°, 67°

Boom length (m)	Jib length (m)	Radius (m)																							
		12	14	16	18	20	22	24	26	28	30	34	38	42	46	50	54	58	62	66	70	74	82	90	98
16.1	21	72	65	58	55	53	53																		
	28		62	56	52	47.5	47	47	47	47															
	35			55	50	46	43	40	39	38.5	38	37	29.4												
	42				48	44.5	41	38.5	36	34.5	33	32.5	32.5	31.5											
	49					42	39	36.5	34	32	30	28	28	28	28	22.3									
	56						36	34	32	30	28.5	25.6	23.5	22.9	22.4	21.8	21.8	15.6							
	63							31	29.3	27.8	26.4	23.8	21.5	19.9	19.6	19.3	19	18.8	15.9	10.6					
	70								26.3	25	23.8	21.7	19.8	18.1	16.6	15.7	15	14.6	14.6	14.6	11.5				
	77									22.8	21.7	19.9	18.2	16.8	15.5	14.4	13.8	13.6	13.4	13.2	13.1	11.5			
84											16.9	15.7	14.6	13.7	12.9	12.2	11.4	11.1	10.7	10.3	9.9	9			
91											14.8	13.8	12.9	12	11.2	10.5	9.9	9.6	9.6	9.3	9	8.4	5.8		
26.5	21		74	67	64	64	63	63																	
	28			65	59	55	52	50	49	48	48														
	35				56	52	49	46	43	42.5	42	41.5	39												
	42					48.5	46	43.5	41.5	39	37.5	36.5	36	34.5	25.9										
	49						41.5	39.5	37.5	36	34.5	31.5	30.5	30	29.8	27.3									
	56							34.5	33.5	32	31	28.7	26.9	25.4	25.4	25.4	24.3	19.5							
	63								29.1	28.1	27.2	25.6	23.9	22.5	21.5	21.5	21.5	21.5	19.8	14.8					
	70									24.3	23.7	22.4	21.3	20	18.9	18	17.3	16.7	16	15.5	14.8	9.8			
	77										20.5	19.6	18.7	17.9	16.9	16.1	15.3	15.3	15.3	14.9	14.4	14			
84											16.3	15.3	14.3	13.5	12.7	12	11.5	11.1	10.7	10.3	9.9	9.3			
91												13.9	13.2	12.5	11.8	11.2	10.7	10.2	9.9	9.5	9.2	8.9	8.4	7.9	
36.9	21			67	62	58	54	51	48.5																
	28				58	54	50	47	44.5	42.5	40.5														
	35					50	47.5	44.5	42	40	38.5	35.5	33.5												
	42						42	40.5	39	37.5	35.5	32.5	30.5	28.6	27										
	56								29.2	28.7	28	26.6	25	23.4	22.1	20.8	19.7	18.7							
	70									20.1	19.4	18.9	18.1	17.5	16.6	15.8	15	14.4	13.8	13.2	12.6				
84											14	13.6	13.2	12.7	12.2	11.6	11.1	10.7	10.4	10.1	9.8	9.2			
47.3	21				43.5	40.5	38.5	36.5	35	33.5															
	28					37	35	33	31.5	30	28.7	26.3													
	35						32	30.5	29	27.6	26.3	24.4	22.7	21.2											
	42							27	26	25	23.9	22	20.6	19.3	18.2										
	49								22.8	22	21.3	19.7	18.3	17.2	16.3	15.5	14.7								
	56									19	18.4	17.3	16	14.9	14	13.3	12.7	12.1	11.5						
	77												11	10.3	9.7	9	8.4	7.8	7.3	7	6.6	6.3	5.9	5.4	
91													6.8	6.4	6	5.6	5.2	4.8	4.5	4.3	4.1	3.9	3.5	3.1	2.8
57.7	21					29.2	27.4	25.5	24.1	22.8															
	28						24.5	23.3	22	20.7	19.6	18													
	35							21	20	19.1	18.1	16.3	14.9	13.8											
	42								17.7	16.9	16.2	14.8	13.4	12.2	11.3	10.4									
	49									14.6	14	12.9	11.7	10.6	9.7	9	8.4								
	56										11.9	11	9.9	8.9	8	7.3	6.6	6.1	5.5						
	63											9.1	8.1	7.2	6.3	5.5	4.9	4.6	4.3	4.1	3.8				
	70												7.3	6.5	5.7	5.1	4.5	4	3.5	3.3	3	2.8	2.6		
77													5.3	4.8	4.3	3.8	3.4	3	2.6	2.4	2.2	2	1.7		
84														3.8	3.5	3.1	2.7	2.4	2	1.7	1.5	1.4	1.2		

t = metric tons.

The content in this document is mentioned for reference use only. Values may differ from current data. Always contact Mammoet for current project calculations.

Boom length (m)	Jib length (m)	Radius (m)																									
		12	14	16	18	20	22	24	26	28	30	34	38	42	46	50	54	58	62	66	70	74	82	90	98		
68.2	21						18.7	17.7	16.6	15.6	14.8																
	28						15.3	14.5	13.7	12.8	11.4																
	35							12.7	12.1	11.5	10.1	9	8.1														
	42								10.2	9.7	8.6	7.5	6.7	6	5.4												
	49									7.8	7	6	5.2	4.5	4.2	3.9	3.6										
	56											5.1	4.4	3.9	3.4	2.9	2.6	2.4	2.2								
	63											3.8	3.3	2.8	2.4	2	1.6	1.4	1.2	1							
70												2.2	1.9	1.5	1.1												
78.6	21					10.4	9.7	9	8.4																		
	28						7.6	7	6.4	5.5	4.8																
	35							5.5	5.1	4.4	3.9	3.5															
	42								4	3.5	3	2.6	2.3	2													
	49									2.5	2.1	1.7	1.3	1.1													
56										1.4	1.1																

T6AYN Guyed main boom with luffing jib

- Outrigger base: 10x9.6 m
- Ballast: 165 - 30 t
- Boom angle: 83°, 75°, 67°

Boom length (m)	Jib length (m)	Radius (m)																									
		16	18	20	22	24	26	28	30	34	38	42	46	50	54	58	62	66	70	74	78	82	86	90	94	98	
36.9	21	83	77	71	66	61	55																				
	28		74	69	65	60	57	53	49.5																		
	35			67	63	59	56	53	49.5	43.5	38.5																
	42				58	56	54	52	49	43	38	34	29.8														
	49					47	46	45	44.5	42	37.5	33.5	29.8	27	22.3												
	56						37	36.5	35.5	34.5	33.5	32	29.4	26.6	24.1	22											
	63							30	29.7	29	28.4	27.9	27.3	26.1	23.6	21.5	19.7	17.4									
	70								24.4	23	21.7	20.5	19.3	18.2	17.4	16.7	16	15.5	15.1	12.5							
	77									20.2	19.6	18.8	18	17.3	16.6	16	15.4	14.9	14.5	14.1	13.3	9.6					
	84										15.3	14.4	13.6	12.9	12.3	11.6	11.1	10.7	10.2	9.8	9.5	9.2	9.1				
91											13.3	12.8	12.1	11.5	10.9	10.4	9.9	9.5	9.2	8.9	8.6	8.3	8.1	7.9	7.3		
47.3	21		72	66	61	58	55	52																			
	28			63	60	56	52	49.5	47	42																	
	35				55	52	50	47.5	44.5	40.5	36.5	32.5															
	42					47	45	43.5	42	38.5	35	32	28.7														
	49						40	39	37.5	35.5	33	30.5	28	25.3	22.9												
	56							31.5	31.5	31.5	30	28.6	26.7	24.8	22.5	20.5	18.8										
	63								25.3	25.3	25.3	24.9	24.2	22.5	20.9	19.3	17.9	16.7	15.1								
	70									20.2	20.2	19.9	18.8	17.9	17.1	16.5	15.9	14.8	13.8	13.2							
	77										16.3	16.3	16.3	16.3	16.1	15.5	15	13.9	12.9	12	11.3	10.9					
	84											13	13	12.8	12.3	11.8	11.4	10.9	10.5	10.1	9.7	9.4	9.1	8.6	8.3		
91												9.9	9.9	9.9	9.9	9.9	9.9	9.7	9.3	8.7	8	7.3	6.6	6.1	5.7	5.5	
57.7	21			53	49.5	46.5	43.5	40.5																			
	28				47.5	45	42	39.5	37.5	33																	
	35					42.5	40.5	38.5	36.5	32.5	29.4	26.1															
	42						36	34.5	33.5	31	28.6	25.9	23.5	20.5													
	49								29.1	27.3	25.5	23.8	21.8	19.9	18.3												
	56									23.2	22.7	21.4	20.2	18.9	17.4	16	14.8										
	63										17.3	17.4	17.4	17.4	16.3	14.9	13.7	12.5	11.4	10.6							
	70											13	13	13	13	12.5	11.3	10.3	9.3	8.4	7.6	7.1					
77												9.8	9.8	9.8	9.8	9.8	8.9	8	7.2	6.4	5.7	5.2					
84													7.3	7.3	7.3	7.3	7.3	7	6.2	5.6	5	4.4	3.9	3.5	3.2		

t = metric tons.

The content in this document is mentioned for reference use only. Values may differ from current data. Always contact Mammoet for current project calculations.

Boom length (m)	Jib length (m)	Radius (m)																										
		16	18	20	22	24	26	28	30	34	38	42	46	50	54	58	62	66	70	74	78	82	86	90	94	98		
68.2	21				39.5	37.5	35	33	31.5																			
	28					33	31.5	29.7	28.2	25.5																		
	35						28.6	27.2	25.9	23.5	21.5	19.8																
	42									23.3	21.3	19.5	18	16.7	15.5													
	49										18.7	17.2	15.9	14.7	13.7	12.8	11.9											
	56											14	14.3	13.4	12.4	11.4	10.3	9.3	8.4									
	63												9.7	9.7	9.4	8.4	7.4	6.6	5.9	5.2	4.7							
70													6.6	6.3	5.5	4.8	4.1	3.6	3.2	2.8	2.4	2.2						
78.6	21				24.6	23.1	21.7	20.5																				
	28					18.8	18.8	17.8	16	14.3																		
	35								15.6	13.9	12.5	11.3																
	42									12.2	10.9	9.8	8.8	7.9														
	49										8.6	7.6	6.8	6	5.4	4.8												
56											4.7	4	3.5	2.9	2.5	2.1	1.7	1.5										

T6AY3SN Guyed main boom with luffing jib

- Outrigger base: 10x9.6 m
- Ballast: 165 - 30 t
- Boom angle: 83°, 75°, 67°

Boom length (m)	Jib length (m)	Radius (m)																										
		16	18	20	22	24	26	28	30	34	38	42	46	50	54	58	62	66	70	74	78	82	86	90	94	98	102	
36.9	21	82	76	71	66	61	55																					
	28		74	69	64	60	56	53	49.5																			
	35			67	63	59	56	52	49.5	43.5	38.5																	
	42				62	58	55	52	49	42.5	37.5	33.5	29.7															
	49					55	52	49.5	47	42	37	33	29.5	26.7	22.3													
	56						42	41	40	38	36	32.5	29.1	26.2	23.8	21.7												
	63							35.5	35.5	34.5	33	32	28.8	26	23.5	21.4	19.6	17.1										
	70								26.7	24.9	23.3	21.8	20.5	19.3	18.3	17.4	16.6	15.9	15.4	12.5								
	77									23.1	21.8	20.5	19.5	18.4	17.5	16.7	16.1	15.4	14.8	14.4	13.3	9.6						
	84										16.6	15.6	14.6	13.7	12.9	12.2	11.6	11	10.5	10	9.6	9.3	9.2					
91											14.1	13.3	12.6	12	11.4	10.8	10.3	9.9	9.5	9.1	8.8	8.4	8.2	8	7.3			
47.3	21		75	68	62	58	54	52																				
	28			67	62	57	53	49.5	46.5	41.5																		
	35				61	57	53	49	45.5	40.5	36	32																
	42					53	51	48.5	45.5	40	35.5	31.5	28.3															
	49						46.5	44.5	43	39.5	35	31	27.8	25.1	22.8													
	56							37.5	37	36	33.5	30	27.4	24.7	22.4	20.4	18.6											
	63								31.5	30.5	29.8	27.7	25.1	22.9	21.1	19.5	18	16.6	15.1									
	70									24.2	22.7	21.4	20.3	19.2	18.3	17.4	16.2	14.9	13.9	13.3								
	77										20.5	20.3	19.4	18.4	17.4	16.5	15.2	14	12.9	12	11.3	10.8						
	84											16.3	15.3	14.4	13.6	12.8	12.1	11.5	11	10.5	10.1	9.6	9.1	8.6	8.3			
91												12.9	12.2	11.6	11.1	10.6	10.1	9.7	9.3	8.6	7.8	7.1	6.4	5.9	5.4	5.3		

t = metric tons.

The content in this document is mentioned for reference use only. Values may differ from current data. Always contact Mammoet for current project calculations.

Boom length (m)	Jib length (m)	Radius (m)																									
		16	18	20	22	24	26	28	30	34	38	42	46	50	54	58	62	66	70	74	78	82	86	90	94	98	102
57.7	21			53	49.5	46	43	40.5																			
	28				47.5	44.5	42	39.5	37	33																	
	35					43	40.5	38	36	32.5	29.1	25.9															
	42						39.5	37	35	31.5	28.5	25.8	23.3	20.4													
	49								33	30	26.9	24	21.8	19.8	18.2												
	56									27.9	25.5	23.2	20.8	18.9	17.2	15.7	14.5										
	63									24.7	22.7	20.6	18.5	16.5	15	13.6	12.4	11.3	10.5								
	70										19.5	17.7	15.9	14.1	12.5	11.3	10.2	9.1	8.2	7.4	6.9						
	77										15.5	15.3	13.9	12.4	11	9.7	8.6	7.6	6.7	5.9	5.3	4.8					
	84											11.7	11.5	10.2	9	7.9	6.9	6	5.4	4.7	4.2	3.7	3.3	3			
68.2	21			40.5	37.5	35	33	31.5																			
	28				34	32	30	28.3	25.3																		
	35					30.5	28.5	26.9	23.9	21.6	19.6																
	42							25.3	22.6	20.3	18.3	16.7	15.3														
	49								20.9	18.8	16.9	15.3	14	12.7	11.6												
	56									18.1	16	14.2	12.6	11.1	9.9	8.9	8										
	63										12.4	10.9	9.7	8.5	7.4	6.4	5.5	4.8	4.2								
70											7.1	6.2	5.3	4.6	3.9	3.3	2.9	2.4	2	1.7							
78.6	21			25.1	23.3	21.6	20.1																				
	28				18.9	18.9	17.7	15.6	13.9																		
	35						15.8	13.9	12.4	11																	
	42							12.6	11.1	9.8	8.7	7.7															
	49								8.8	7.6	6.5	5.6	4.8	4.2													
	56									3.9	3.3	2.8	2.3	1.9	1.5	1.1											

t = metric tons.

The content in this document is mentioned for reference use only. Values may differ from current data. Always contact Mammoet for current project calculations.