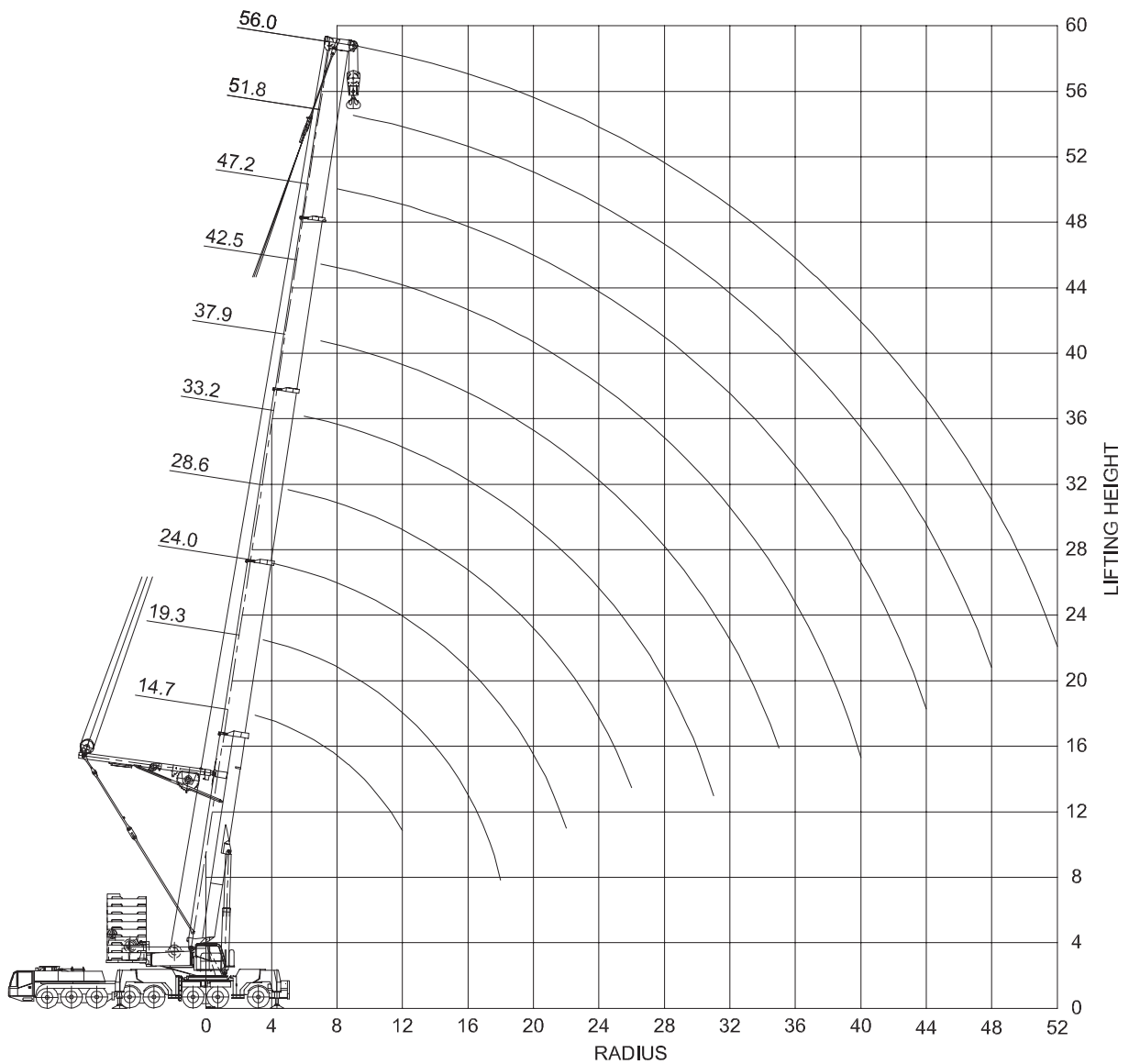


Dimensions are in millimeters.  
The content in this document is mentioned for reference use only. Values may differ from current data. Always contact Mammoet for current project calculations.



Dimensions are in meters.  
The content in this document is mentioned for reference use only. Values may differ from current data. Always contact Mammoet for current project calculations.

### Main boom

- Outrigger base: 9.6x9.6 m (center support)
- Ballast: 160 - 0 t

Ballast (t)	Boom length (m)	Radius (m)																												
		3	3.5	4	4.5	5	6	7	8	9	10	11	12	14	16	18	20	22	24	26	28	30	32	34	36	40	44	48	50	53
180	14.7	500	381	346	317	293	257	231	207	184	165	151	137																	
	19.3		257	257	257	257	249	221	198	180	165	151	136	115	99.5	75.9														
	24			245	245	245	233	211	191	174	159	147	134	115	99.7	87.3	77.4	64.3												

### Main boom

- Outrigger base: 9.6x9.6 m
- Ballast: 160 - 0 t

Ballast (t)	Boom length (m)	Radius (m)																															
		3	3.5	4	4.5	5	6	7	8	9	10	11	12	14	16	18	20	22	24	26	28	30	32	34	36	40	44	48	50	53			
160	14.7	257	257	257	257	253	224	201	182	166	153	142	131																				
	19.3		257	257	257	252	224	200	181	165	152	141	130	111	95.7	76.1																	
	24			245	245	245	224	201	182	166	152	141	130	111	95.9	83.9	74.2	64.4															
	28.6					210	196	184	171	160	149	139	129	111	96.8	84.8	75.1	67.1	59.9	53.3													
	33.2						166	156	146	138	130	123	115	102	90.5	80.5	72.5	66.2	61	54.6	49.1	44.4											
	35.3							80	80	80	78.3	74.7	71.1	67.4	60	53	46.8	41.7	37.9	34.7	32	29.5	27.1	25.2	23.2								
	37.9								142	134	125	118	111	103	91.1	80.9	72.8	66.1	60.2	55	50.3	46.2	42.5	39.4	36								
	42.5									117	110	104	98.8	93.5	84.1	75.8	68.5	62.1	56.5	51.6	47.3	43.6	40.4	37.8	35.2	32.9	28						
	45.6										64	60.9	58.1	55.6	53.1	48.6	44.6	40.8	37.1	33.6	30.4	27.6	25.3	23.3	21.8	20.4	19.3	17.1	14				
	47.2											95.3	89.9	85.2	80.4	72.5	65.9	60.2	55.1	50.7	46.7	43.2	40.2	37.6	35.4	33.3	31.6	28.2	24.5				
	51.8												82.9	78.6	74.8	71	64.4	58.7	53.7	49.4	45.5	42.1	39.1	36.4	34	32	30	28.5	25.6	23.1	20.9		
	56													66.8	64	61.2	56	51.2	46.9	43.1	39.7	36.7	34.1	31.8	29.8	28.1	26.3	24.8	22.1	19.8	17.8	17	15.9

### Main boom

- Outrigger base: 8x7.3 m
- Ballast: 160 - 0 t

Ballast (t)	Boom length (m)	Radius (m)																															
		3	3.5	4	4.5	5	6	7	8	9	10	11	12	14	16	18	20	22	24	26	28	30	32	34	36	40	44	48	50	53			
100	14.7	256	247	240	233	220	193	171	151	121	100	86.8	73.6																				
	19.3		254	246	235	219	192	170	150	119	98.7	85.4	72	55.6	44.6	36.8																	
	24			245	235	219	192	170	150	120	99.1	85.8	72.4	56	44.9	36.9	31	26.4															
	28.6					210	193	171	152	121	100	86.8	73.6	57.1	45.9	37.9	31.9	27.2	23.5	20.5													
	33.2						166	156	146	123	102	88.6	75.2	58.6	47.4	39.3	33.2	28.4	24.6	21.5	19	16.8											
	35.3							80	80	80	78.3	74.7	71.1	67.4	59.5	48.2	40.1	34	29.2	25.4	22.2	19.6	17.4	15.6	14								
	37.9								142	134	122	101	87.7	74.3	57.7	46.5	38.5	32.4	27.6	23.8	20.7	18.1	16	14.1	12.5								
	42.5									117	110	101	87.7	74.3	57.7	46.5	38.5	32.4	27.6	23.8	20.7	18.1	15.9	14	12.4	11	8.8						
	45.6										64	60.9	58.1	55.6	53.1	48.6	44.6	40.8	35.6	30.8	26.9	23.7	21	18.8	16.9	15.2	13.8	11.4	9.5				
	47.2											95.3	89.9	82.5	75	58.4	47.2	39.1	33	28.2	24.4	21.2	18.6	16.4	14.5	12.9	11.4	9.1	7.3				
	51.8												82.9	78.6	74.8	71	59.3	48	39.9	33.7	29	25.1	22	19.3	17.1	15.2	13.5	12.1	9.7	7.8	6.3		
	56													66.8	64	61.2	56	48.1	40	33.9	29.1	25.2	22	19.4	17.2	15.3	13.6	12.2	9.7	7.8	6.3	5.6	4.6

t = metric tons.

The content in this document is mentioned for reference use only. Values may differ from current data. Always contact Mammoet for current project calculations.

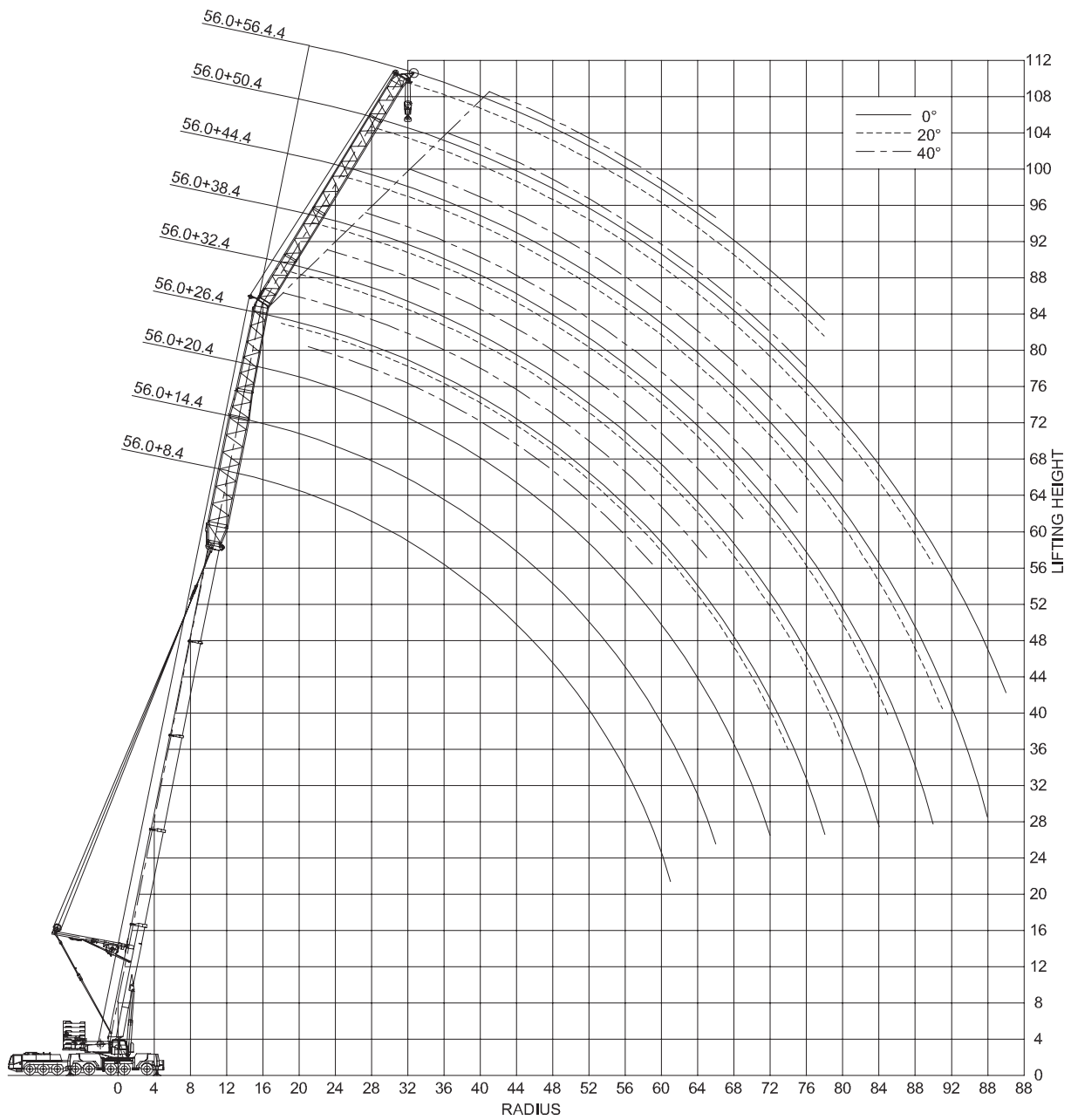
**Guyed main boom**

- Outrigger base: 9.6x9.6 m
- Ballast: 180 - 80 t

Ballast (t)	Boom length (m)	Radius (m)																											
		6	7	8	9	10	11	12	14	16	18	20	22	24	26	28	30	32	34	36	38	40	42	44	46	48	50	52	
180	33.2	112	109	106	104	101	98.4	95.7	90.6	85.6	80.6	75.3	70	64	58.1	53.1	46.8												
	33.2	187	181	174	162	148	136.5	125	109	95.5	83	73	64.7	57.8	52	47.1	40.9												
	37.9		166	161	156	146	135	124	107	94.8	84.2	74.2	65.9	59	53.1	48.1	43.8	40	35.6										
	42.5		110	107	104	101	98.8	96.6	91.5	86.4	81.1	75.6	70.2	63.5	57.6	52.5	48.2	44.3	41	38	34.5								
	42.5		149	146	143	140	131.5	123	106	93.7	83.5	75	66.7	59.8	53.9	48.9	44.5	40.7	37.4	34.4	31	25.2							
	47.2			125	122	120	117	114	106	93.3	83.2	74.9	68	61	55.1	50.1	45.7	41.9	38.5	35.5	32.8	30.3	27.8	23.4					
	51.8				104	102	99.5	97	92.1	87.6	82.9	74.7	67.9	62.1	56.2	51.1	46.7	42.9	39.5	36.4	33.7	31.2	28.8	26.7	24.9	21.5			
56					89.8	87	84.5	82	77.4	73.3	69.5	66	62.6	59.4	56.2	51.3	46.9	43	39.6	36.6	33.9	31.3	28.9	26.8	24.9	23.2	21.6	18.6	

t = metric tons.

The content in this document is mentioned for reference use only. Values may differ from current data. Always contact Mammoet for current project calculations.



Dimensions are in meters.  
The content in this document is mentioned for reference use only. Values may differ from current data. Always contact Mammoet for current project calculations.

### Main boom with fixed jib

- Outrigger base: 9.6x9.6 m
- Ballast: 160 - 40 t

Boom angle (m)	Jib offset (°)	Ballast (t)	Jib length (m)	Radius (m)																													
				10	12	14	16	18	20	22	24	26	28	30	32	34	36	38	42	46	50	54	58	62	66	70	74	78	82	86			
42.5	0	160	8.4	78.3	69.1	61.3	54.9	49.5	45	41.3	38.1	35.3	32.8	30.6	28.6	26.7	25.2	23.6	21	18.5													
			14.4		62.5	55.5	49.7	44.7	40.5	37	34.1	31.5	29.3	27.3	25.5	23.8	22.3	20.9	18.6	16.9	15.3	13.9											
			20.4		48.8	45.8	42.9	40	37.3	34.7	32.2	29.9	27.7	25.7	24.1	22.4	21.1	19.7	17.8	16.1	14.8	13.6	12.4										
			26.4			44	40.2	36.8	33.8	31.1	28.7	26.6	24.8	23.1	21.7	20.3	19.1	17.9	16	14.2	12.9	11.8	10.6	9.8									
			32.4				34.8	32.7	30.6	28.6	26.8	25	23.3	21.7	20.3	18.9	17.7	16.5	14.7	13.1	11.8	10.8	9.9	9.1	8.4	7.6							
			38.4				30.4	28.6	27	25.4	23.9	22.5	21.1	19.8	18.7	17.5	16.5	15.4	13.8	12.2	10.9	9.9	8.8	8.1	7.4	6.7	6						
			44.4					25.3	23.7	22.2	20.8	19.6	18.4	17.3	16.3	15.4	14.5	13.7	12.4	11.1	9.9	8.9	8.1	7.3	6.6	5.9	5.2	4.6	4				
			50.4						21.8	20.3	19	17.7	16.6	15.6	14.6	13.8	13.1	12.4	11.7	10.7	9.8	8.9	8.1	7.3	6.6	5.9	5.2	4.5	3.9	3.2	2.6	2.5	
			56.4							18	16.8	15.7	14.7	13.8	12.9	12.2	11.4	10.8	10.2	9.2	8.3	7.5	6.8	6.1	5.4	4.8	4.3	3.8	3.2	2.6	2		
			62.4								14.6	13.6	12.7	11.8	11	10.3	9.6	9	8.5	7.6	6.7	6	5.5	5	4.5	4	3.6	3.2	2.7	2.1			
20	140	26.4				31	29.6	28.2	26.8	25.3	24	22.6	21.3	20	18.9	17.8	15.9	14.3	12.9	11.6	10.3	9.1											
		32.4					22.8	21.7	20.7	19.8	18.9	18	17.2	16.4	15.7	15	13.6	12.4	11.2	10.3	9.4	8.6	7.9										
		38.4						21	19.9	18.9	18	17.1	16.3	15.6	14.9	14.3	13.1	12	10.9	9.9	8.9	8	7.1	6.4									
		44.4							15.3	14.8	14.2	13.7	13.3	12.8	12.4	11.5	10.7	9.9	9	8.2	7.4	6.6	5.9	5.2	4.6								
		50.4								14.2	13.5	12.9	12.4	11.8	11.3	10.8	9.9	9.2	8.4	7.7	7.1	6.3	5.7	5	4.5	3.9	3.4						
		56.4									10.8	10.3	9.9	9.5	9.1	8.4	7.8	7.1	6.5	6	5.4	4.8	4.2	3.7	3.3	2.8							
62.4										9.6	9.1	8.7	8.2	7.4	6.8	6.1	5.5	5.1	4.6	4.1	3.7	3.3	2.8										
40	120	26.4					25.7	24.8	23.9	23.1	22.1	21.2	20.3	19.4	18.5	17.6	15.9	14.4	12.9														
		32.4						17.9	17.3	16.8	16.2	15.7	15.1	14.6	14.1	13.1	12.1	11.2	10.3														
		38.4							17.3	16.6	16	15.4	14.8	14.3	13.8	12.8	11.9	10.9	9.9	8.9													
		44.4								12	11.9	11.8	11.6	11.4	10.9	10.3	9.6	8.9	8.1	7.4	6.7												
		50.4									11.7	11.2	10.7	10.2	9.4	8.6	7.9	7.3	6.6	6.1	5.5	5											
		56.4										8.8	8.1	7.4	6.8	6.3	5.7	5.2	4.8	4.3	3.8												
62.4											7.6	7.2	6.7	6.2	5.7	5.1	4.6	4.2	3.6	3	2.5												
56	0	160	8.4	37.3	33.9	31	28.4	26.2	24.3	22.5	21	19.7	18.5	17.4	16.3	15.4	14.5	13.8	13.1	12.3	11.7	10.4	9.1										
			14.4	31.9	29.2	26.8	24.6	22.7	21	19.5	18.1	17	16	14.9	14.1	13.2	12.5	11.8	11.1	10.5	10	9.5	8.6	7.9	7.2	6.5	5.9						
			20.4	28.4	26.3	24.4	22.6	21	19.6	18.2	17	16	14.9	14.1	13.2	12.5	11.8	11.1	10.5	10	9.5	8.6	7.9	7.2	6.5	5.9							
			26.4	23.9	22.1	20.5	19	17.7	16.5	15.4	14.4	13.5	12.6	11.9	11.2	10.6	10	9.4	8.9	8.4	8	7.1	6.4	5.7	5	4.6	4.1	3.7					
			32.4		19.5	18.1	16.8	15.6	14.6	13.6	12.7	12	11.2	10.6	9.9	9.4	8.9	8.4	7.9	7.5	7.1	6.3	5.6	4.9	4.3	3.9	3.4	3	2.8				
			38.4			15.9	14.7	13.7	12.7	11.8	11	10.3	9.6	9	8.4	7.9	7.5	7	6.6	6.2	5.9	5.2	4.5	4	3.4	3	2.6	2.2					
			44.4				13.3	12.3	11.5	10.7	10	9.3	8.7	8.1	7.6	7.1	6.7	6.3	5.9	5.5	5.2	4.6	4	3.5	3	2.6	2.2						
			50.4					11.7	10.9	10.1	9.4	8.7	8.1	7.5	7	6.5	6.1	5.7	5.2	4.8	4.5	4.3	3.7	3.2	2.7	2.3							
			56.4						9.6	9	8.3	7.8	7.2	6.7	6.2	5.7	5.3	4.9	4.5	4.2	3.9	3.6	3.1	2.5	2.1								
			62.4							7.8	7.2	6.7	6.2	5.7	5.2	4.8	4.4	4	3.6	3.3	2.9	2.7	2.1										
20	140	26.4			18.4	17.2	16.1	15.1	14.2	13.4	12.7	12	11.4	10.8	10.2	9.7	9.2	8.8	8.3	7.9	7.1	6.3	5.7	5.1	4.6	4.1							
		32.4				13.8	13	12.2	11.5	10.9	10.3	9.7	9.2	8.7	8.3	7.9	7.5	7.1	6.7	6.4	6	5.7	5.1	4.5	4.1	3.6	3.1	2.7	2.3				
		38.4					11.6	10.9	10.2	9.6	9	8.5	8	7.5	7.1	6.7	6.4	6	5.7	5.3	5	4.5	4.1	3.6	3.1	2.7	2.3						
		44.4						9.1	8.6	8.1	7.6	7.2	6.7	6.4	6	5.7	5.3	5	4.5	4	3.5	3.1	2.7	2.3									
		50.4							8.1	7.6	7.1	6.7	6.3	5.9	5.5	5.1	4.8	4.5	4.2	3.7	3.2	2.8	2.3										
		56.4								6.2	5.8	5.4	5.1	4.8	4.4	4.1	3.8	3.5	3.1	2.5	2.1												
62.4									5	4.7	4.3	4	3.7	3.4	3.1	2.9	2.3																
40	120	26.4				15.2	14.4	13.6	12.8	12.2	11.5	11	10.4	9.9	9.4	9	8.6	8.2	7.9	7.2	6.4												
		32.4					11.4	10.8	10.3	9.7	9.3	8.8	8.4	8	7.6	7.3	6.9	6.6	6.1	5.5	5	4.4											
		38.4						9.7	9.2	8.7	8.2	7.8	7.3	6.9	6.6	6.3	5.9	5.6	5.1	4.5	4	3.6	3.1										
		44.4							7.6	7.2	6.8	6.5	6.2	5.8	5.5	5.2	5	4.4	4	3.5	3.1	2.7	2.4										
		50.4								6.5	6.1	5.7	5.4	5.1	4.8	4.5	4.3	3.8	3.3	2.8	2.4	2											
		56.4									4.7	4.4	4.1	3.8	3.6	3.2	2.7	2.2															
62.4										4	3.8	3.5	3.2	3	2.5	2																	

t = metric tons.

The content in this document is mentioned for reference use only. Values may differ from current data. Always contact Mammoet for current project calculations.

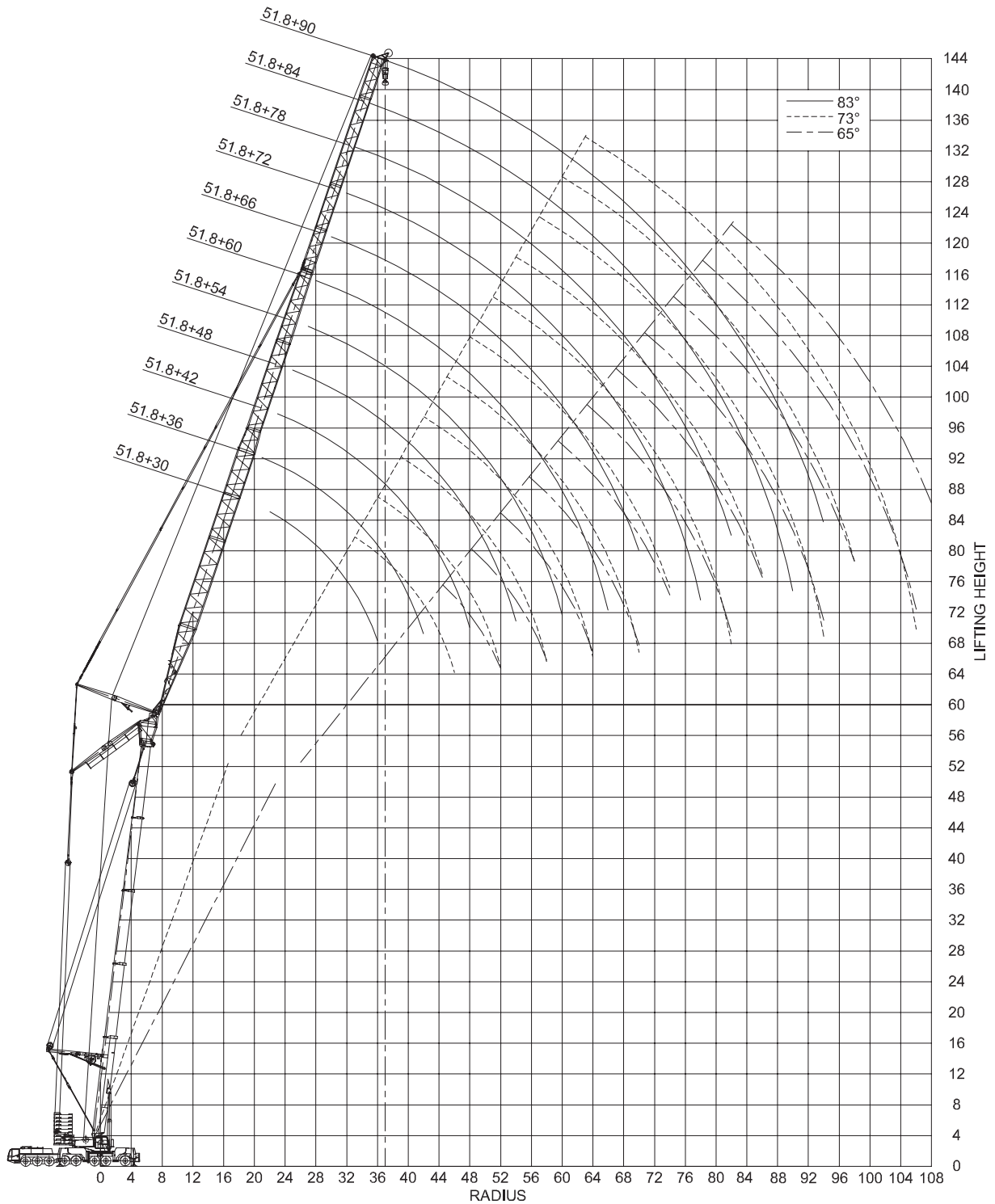
### Guyed main boom with fixed jib

- Outrigger base: 9.6x9.6 m
- Ballast: 180 - 80 t

Boom length (m)	Jib offset (°)	Ballast (t)	Jib length (m)	Radius (m)																														
				10	12	14	16	18	20	22	24	26	28	30	32	34	38	42	46	50	54	58	62	66	70	74	78	82	86	90				
51.8	0	180	8.4	68.8	66	63.1	60.3	57.5	54.8	52.2	49.7	47.3	45	42.9	40.3	37.7	32	27.3	23.3	19.8	16.9													
			14.4	55.1	52.8	50.6	48.3	46	43.7	41.5	39.4	37.3	35.3	33.6	31.8	28.8	26.2	23.9	20.4	17.4	14.9	11.8												
			20.4	43.5	42.3	41	39.5	38	36.3	34.6	32.9	31.3	29.6	28.1	26.6	24	21.8	20.1	18.6	17.4	16.4	14.3	12.4											
			26.4	33.5	33.5	33.1	32.4	31.5	30.3	29	27.6	26.1	24.6	23.1	21.6	19	17	15.5	14.3	13.5	12.8	12.2	11.5	10.5	8									
			32.4		27.9	27.5	26.9	26.1	25.3	24.3	23.3	22.1	21	19.9	18.7	16.5	14.7	13.2	12.1	11.2	10.4	9.9	9.4	8.9	8.4	7.8								
			38.4			23.3	23	22.5	21.9	21.2	20.4	19.5	18.5	17.5	16.5	14.6	12.8	11.3	10.1	9.2	8.5	8	7.6	7.2	6.8	6.4	5.9							
			44.4				18.5	18.3	18.1	17.7	17.3	16.7	16.1	15.5	14.8	14.1	12.7	11.2	9.9	8.8	7.9	7.2	6.6	6.1	5.7	5.4	5.1	4.8	4.5	4.2				
			50.4					16.3	16.1	15.7	15.3	14.8	14.3	13.7	13.1	12.5	11.2	9.9	8.7	7.6	6.7	5.9	5.3	4.8	4.4	4	3.7	3.4	3.2	2.9				
			56.4						13.1	12.9	12.6	12.2	11.9	11.5	11.1	10.6	9.7	8.7	7.8	6.8	6	5.2	4.6	4	3.4	3	2.5	2.2						
			62.4							10.6	10.4	10.2	10	9.8	9.5	9.2	8.9	8.2	7.5	6.7	5.9	5	4.3	3.5	2.8	2.2								
20	160	26.4				28.7	27	25.4	24	22.7	21.5	20.5	19.5	18.6	17	15.7	14.5	13.4	12.5	11.7	10.9	10.2	8.6											
		32.4					21.5	20.4	19.3	18.3	17.4	16.5	15.7	14.9	13.5	12.3	11.2	10.4	9.7	9.1	8.7	8.3	7.9	7.6										
		38.4						18.5	17.6	16.6	15.8	14.9	14.2	13.5	12.2	11	10.1	9.2	8.5	7.9	7.3	6.8	6.3	5.9	5.4									
		44.4								13.5	13	12.4	11.9	11.4	10.4	9.4	8.6	7.9	7.2	6.6	6.2	5.7	5.4	5	4.7	4.4	4.1							
		50.4									12.7	12	11.4	10.8	10.2	9.2	8.3	7.4	6.7	6.1	5.5	5	4.6	4.2	3.9	3.6	3.2	2.9	2.5					
		56.4													9.7	9.2	8.2	7.4	6.6	5.9	5.2	4.7	4.1	3.6	3.2	2.7	2.3							
		62.4														8.1	7.7	7	6.3	5.7	5	4.4	3.8	3.2	2.6	2								
40	140	26.4					23.2	22.1	21.1	20.2	19.3	18.5	17.8	17	15.7	14.6	13.6	12.7	11.9															
		32.4								16	15.4	14.9	14.3	13.8	12.7	11.6	10.7	9.9	9.2	8.6	8.2													
		38.4									14.4	13.8	13.3	12.8	12.2	11.3	10.4	9.6	8.8	8.1	7.5	6.9	6.4											
		44.4												10.3	9.9	9.2	8.6	8	7.4	6.9	6.5	6	5.6	5.2										
		50.4													9.5	9.1	8.3	7.6	6.9	6.3	5.8	5.3	4.9	4.5	4.1	3.8								
		56.4															7.4	6.7	6.1	5.5	4.9	4.4	3.9	3.4	3	2.5	2.1							
		62.4																6	5.4	4.8	4.2	3.6	3	2.4										
56	0	180	8.4	53.5	52.5	51.2	49.6	47.8	45.8	43.6	41.5	39.4	37.4	35.6	33.8	30.9	27.2	23.2	19.6	16.7	14.2													
			14.4	43.4	42.5	41.4	40.1	38.7	37.2	35.6	34.1	32.5	30.9	29.4	27.9	25.4	23.2	21.4	19.8	17.2	14.6	12.5	9.8											
			20.4		33.7	33.3	32.6	31.8	30.9	29.8	28.6	27.4	26.1	24.9	23.6	21.3	19.4	17.8	16.5	15.4	14.4	13.7	12.1	10.5										
			26.4		26.6	26.3	25.8	25.2	24.5	23.7	22.8	21.9	20.9	19.9	18.9	17	15.4	14	12.9	11.9	11.1	10.4	9.8	9.2	8.7	6.5								
			32.4			21.8	21.5	21.1	20.6	20	19.3	18.6	17.8	17.1	16.3	14.7	13.2	11.9	10.9	10	9.2	8.6	8.1	7.7	7.2	6.8	6.4							
			38.4				19	18.8	18.5	18.2	17.7	17.2	16.6	15.9	15.2	14.5	13	11.5	10.2	9.2	8.3	7.6	7.1	6.6	6.2	5.9	5.6	5.3	4.9	3.3				
			44.4					15	15	14.8	14.6	14.3	13.9	13.4	12.9	12.4	11.3	10.1	9	8	7.2	6.5	5.9	5.4	5.1	4.8	4.5	4.3	4	3.8				
			50.4						12.4	12.3	12.2	12	11.8	11.5	11.1	10.8	10.4	9.6	8.7	7.8	7	6.2	5.5	4.9	4.4	4	3.6	3.3	3	2.8	2.5			
			56.4							10.3	10.2	10.1	10	9.8	9.6	9.3	9	8.4	7.7	7	6.2	5.4	4.7	4	3.3	2.8	2.3	2						
			62.4								7.9	7.9	7.9	7.8	7.7	7.6	7.5	7	6.6	6	5.3	4.7	4	3.3	2.6									
20	160	26.4				25.9	24.5	23.1	21.9	20.7	19.7	18.7	17.9	17	15.6	14.4	13.3	12.4	11.5	10.8	10.1	9.5	8.4	6.9										
		32.4					18.4	17.5	16.6	15.8	15	14.3	13.6	13	12.3	11.2	10.2	9.3	8.5	7.9	7.3	6.8	6.3	5.9	5.5	5.1	4.7							
		38.4						15.9	15.1	14.3	13.6	13	12.3	11.2	10.2	9.3	8.5	7.9	7.3	6.8	6.3	5.9	5.5	5.1	4.7									
		44.4							12.1	11.7	11.2	10.7	10.3	9.4	8.6	7.9	7.2	6.6	6.1	5.7	5.3	4.9	4.6	4.4	4.1	3.9	3.4							
		50.4								10.9	10.3	9.8	9.3	8.4	7.6	6.9	6.2	5.7	5.2	4.7	4.3	3.9	3.5	3.2	2.8	2.5	2.1							
		56.4										8.7	8.3	7.5	6.7	6	5.4	4.8	4.3	3.7	3.3	2.8	2.4	2										
		62.4											7	6.4	5.8	5.2	4.6	4	3.4	2.7	2.1													
		40	140	26.4					19.9	19	18.2	17.5	16.7	16.1	15.4	14.3	13.3	12.4	11.6	10.9	10.2													
32.4									14.2	13.8	13.3	12.8	12.4	11.5	10.6	9.8	9.1	8.4	7.8	7.4														
38.4											12.4	11.9	11.5	11	10.2	9.4	8.7	8.1	7.5	6.9	6.4	6												
44.4													9.1	8.8	8.3	7.7	7.2	6.7	6.3	5.9	5.5	5.2	4.8	4.5										
50.4														8.2	7.5	6.9	6.3	5.8	5.3	4.9	4.5	4.2	3.9	3.6	3.3									
56.4																6.1	5.5	5	4.5	4	3.6	3.1	2.7	2.2										
62.4															5.4	4.9	4.3	3.8	3.3	2.7	2.2													

t = metric tons.

The content in this document is mentioned for reference use only. Values may differ from current data. Always contact Mammoet for current project calculations.



Dimensions are in meters.  
The content in this document is mentioned for reference use only. Values may differ from current data. Always contact Mammoet for current project calculations.



**Main boom with luffing jib**

- Outrigger base: 9.6×9.6 m
- Ballast: 180 - 60 t
- Boom angle: 83°, 73°, 65°

Boom length (m)	Jib length (m)	Radius (m)																												
		14	16	18	20	22	24	26	28	30	34	38	42	46	50	54	58	62	66	70	74	78	82	86	90	94				
14.7	24	117	107	96.8	87	78.8	72	54																						
	30		98	93.5	86.5	78.4	71.5	65.7	60.8	53																				
	36		85.5	84	82.5	77.6	70.7	65	60	55.7	45.4																			
	42		68.7	68.7	68.7	68.7	67.7	64.2	59.2	54.9	47.8	41.2	29.9																	
	48			54.4	54.4	54.4	54.4	52.1	50	45.8	41.3	36.7	29.7																	
	54				49	49	49	49	49	48.5	46.9	42	37.4	33.6	27.7	20.6														
	60					42	42	42	42	42	41.2	40.1	37.1	33.3	30	25.9	20.4													
	66						33.6	33.4	33.2	32.9	32.5	31.8	31.2	30.5	29	26.4	23.4	19	14											
	72							28.5	28.4	28.3	28.1	27.9	27.6	27	26.5	26	25.2	23.4	21	17.3	13.4									
	78								23.8	23.5	23.3	22.9	22.4	21.8	21.1	20.4	19.7	19	18.2	17.4	16.1	13.1								
84									18.9	18.7	18.1	17.6	17	16.4	15.7	15.1	14.5	13.9	13.3	12.8	12.3	11.9	9.5							
90										15.5	15	14.4	13.9	13.4	12.8	12.3	11.8	11.3	10.9	10.5	10	9.6	9.3	8.9						
33.2	24			72.8	68.6	64.3	61	58.6	56.7																					
	30			62.7	60	57.3	54.7	52.5	50.7	45.7																				
	36			58.4	56.6	54.9	53.1	51.1	49	47	44.1	41.3																		
	42				47.8	47.1	46.4	45.7	44.7	43.3	40.4	38.1	36	26.1																
	48					40.9	40.6	40.3	40	39.6	38.2	36.8	35.2	32.9	28.8															
	54						34.9	34.5	34.2	33.9	33.1	32.1	31.2	30.2	29	26.2	18.3													
	60							31	30.7	30.4	29.8	29.2	28.7	28.1	27.2	26	23.6	20.3												
	66								24.4	24.3	24.1	23.9	23.5	23.2	22.8	22.5	22.1	20.9	19.1	12.6										
	72									20.7	20.6	20.4	20.3	20.1	20	19.9	19.8	19.6	19.3	18.5	16.9	13.6								
	78										17.4	17.3	17.2	17	16.9	16.9	16.8	16.7	16.5	16.3	16.1	15.5	13.3	8.2						
84											14	13.9	13.8	13.7	13.6	13.5	13.4	13.3	13	12.7	12.4	12.1	11.8	9.5						
90												11.2	11.1	10.9	10.8	10.7	10.5	10.4	10.3	10.2	9.9	9.7	9.5	9.2	9	8.8				
42.5	24				49.5	46.8	44.3	42.1	40.3																					
	30				44.1	42.4	40.6	38.9	37.2	35.8	33.5																			
	36				39.9	38.4	37	35.5	34.4	33.2	31.1	29.4																		
	42					33.5	32.5	31.5	30.4	29.5	27.8	26.3	25.1	24.2																
	48						29.1	28.5	27.8	27.2	26	24.9	23.9	23.1	22.3															
	54							25.2	24.6	24.1	23.1	22.1	21.2	20.4	19.8	19.2	18.9													
	60								21.9	21.6	20.9	20.2	19.5	18.8	18.2	17.7	17.2	16.9												
	66									18.1	17.9	17.4	16.9	16.5	16.1	15.8	15.4	15.1	14.8	14.6	14.4									
	72										15	14.7	14.4	14.2	13.9	13.6	13.3	13	12.9	12.7	12.6	12.4								
	78											12.8	12.6	12.4	12.2	12	11.8	11.6	11.4	11.3	11.1	10.9	10.8	10.5						
84												10.2	10.1	10	9.9	9.8	9.8	9.7	9.6	9.6	9.5	9.4	9.4	9.3						
90													7.9	7.9	7.8	7.8	7.7	7.7	7.6	7.6	7.6	7.5	7.5	7.4	7.4	7.3	7.2			
47.2	24				40.2	38.2	36.6	35.1	33.9	32.6																				
	30					34.2	32.9	31.8	30.7	29.7	28																			
	36						31.2	30.2	29.2	28.3	27.4	25.6	24.3	23.2																
	42							25.9	25.1	24.3	23.6	22.4	21.2	20.3	19.4															
	48								23.7	23.2	22.7	22.2	21.2	20.3	19.4	18.7	18	17.6												
	54									20.7	20.3	19.9	19	18.2	17.5	16.7	16.2	15.6	15.3											
	60										17.9	17.6	17	16.4	15.8	15.3	14.7	14.2	13.7	13.4	13.3									
	66											14.3	13.8	13.4	13	12.6	12.3	11.9	11.6	11.3	11	10.9								
	72												11.7	11.4	11.1	10.8	10.6	10.3	10.1	9.9	9.7	9.5	9.3	9.1						
	78													9.6	9.4	9.2	9	8.8	8.7	8.5	8.3	8.2	8.1	8	7.9	7.9				
84														8.2	8	7.8	7.7	7.6	7.5	7.4	7.3	7.2	7.1	7	6.9	6.9	6.5			
90															6.3	6.2	6.2	6.1	6.1	6.1	6	6	6	6	5.9	5.9	5.8	5.8		
51.8	24				32.2	30.7	29.5	28.3	27.4	26.7																				
	30					27.2	26.1	25.3	24.6	23.8	22.8																			
	36						24.3	23.6	22.9	22.2	21.6	20.4	19.3	18.4																
	42							20.4	19.9	19.3	18.8	17.8	16.9	16.2	15.5															
	48								18.6	18.1	17.7	16.8	16	15.3	14.7	14.1	13.9													
	54									15.9	15.6	14.9	14.2	13.7	13.1	12.6	12.2	11.8												
	60										13.6	13.1	12.6	12.2	11.7	11.3	10.9	10.6	10.3	10.2										
	66											10.8	10.5	10.1	9.8	9.5	9.2	8.8	8.7	8.5	8.3	8.3								
	72												8.5	8.2	7.9	7.7	7.4	7.1	6.9	6.7	6.6	6.4	6.3	6.2						
	78													6.7	6.5	6.3	6.1	6	5.8	5.6	5.5	5.4	5.3	5.3	5.2	5.1				
84														5	4.9	4.8	4.7	4.5	4.4	4.3	4.2	4.2	4.1	4	4	3.9	3.9			
90																3.6	3.5	3.5	3.5	3.4	3.4	3.3	3.3	3.3	3.2	3.2	3.1	3.1	3	3

t = metric tons.

The content in this document is mentioned for reference use only. Values may differ from current data. Always contact Mammoet for current project calculations.

### Main boom with luffing jib

- Outrigger base: 9.6×9.6 m
- Ballast: 180 - 80 t
- Boom angle: 83°, 73°, 65°

Boom length (m)	Boom angle (°)	Jib length (m)	Radius (m)																														
			18	20	22	24	26	28	30	34	38	42	46	50	54	58	62	66	70	74	78	82	86	90	94	98	102	106	110				
33.2	83	30	86	81.9	74.6	68.1	62.5	57.7	53.6	45.1																							
		36	77.1	75.1	73	67.3	61.7	56.9	52.8	46	40.6																						
		42		65.1	63.7	62.3	60.9	56.2	52	45.2	39.8	35.4	25.6																				
		48			56	54.8	53.7	52.6	51.4	45.9	40.4	36	32.4	28.5																			
		54				47.7	46.8	46	45.1	43.5	39.7	35.3	31.7	28.7	26.1	18																	
		60					38	37.6	37.2	36.4	35	33.3	31.4	28.3	25.7	23.5	20																
		66						31.2	30.7	30.2	29.1	28	26.9	25.7	24.6	23.8	22.7	20.8	19	12.3													
		72							25.7	25.5	25.3	25	24.5	23.7	22.8	22	21.5	20	18.3	16.8	13.2												
		78								20.6	20.3	19.9	19.6	19	18.3	17.7	17.1	16.8	16.5	16.2	15.3	13.3											
		84									16.6	16.3	16	15.6	15	14.4	13.9	13.3	12.9	12.5	12.1	11.8	11.6	9.5									
90										13.4	13.2	12.9	12.7	12.3	11.8	11.2	10.7	10.2	9.9	9.5	9.2	8.9	8.7	8.5									
73		30					51.6	47.9	41.7	36.8																							
		36							40.8	35.9	31.9	28.8																					
		42								39.9	35	31.1	27.8	25.1																			
		48									35.6	31.6	28.4	25.6	23.3	21.4																	
		54											30.8	27.6	24.9	22.5	20.6	18.9															
		60												30.5	27.2	24.5	22.2	20.2	18.5	17	15.7												
		66													25.5	23.7	21.3	19.3	17.6	16.1	14.8	13.6											
		72														20.2	19.8	18.5	16.7	15.2	13.9	12.7	11.7	10.8									
		78															16.3	16.1	15.8	15.6	15.1	13.7	12.5	11.4	10.5	9.6							
		84																14.4	13.9	13.4	12.9	12.5	12.2	11.3	10.3	9.5	8.7						
90																	11.2	10.8	10.4	10	9.6	9.2	8.8	8.5	8.2	7.6	6.9						
65		30								33.3	29.7																						
		36										28.7	25.7	23.3																			
		42											24.8	22.3	20.2																		
		48												22.8	20.7	18.9	17.3																
		54													19.9	18	16.5	15.1															
		60														19.5	17.6	16.1	14.7	13.5	12.4												
		66															16.8	15.2	13.8	12.6	11.5	10.6											
		72																14.3	12.9	11.7	10.6	9.7	8.8	8									
		78																	12.7	11.5	10.4	9.4	8.6	7.8	7.1								
		84																		11.3	10.2	9.3	8.4	7.6	6.9	6.2	5.6						
90																			9.2	8.8	8	7.2	6.5	5.8	5.2	4.7							
42.5	83	30		67.3	65.1	62.9	60.9	56.8	52.7	45.9																							
		36		59.6	57.7	55.9	54.1	52.4	50.8	45.1	39.8																						
		42			50.5	49.1	47.7	46.3	45	42.5	39	34.7	31.2																				
		48				44	42.9	41.8	40.7	38.7	36.8	35	31.8	28.8																			
		54					37.2	36.4	35.7	34.3	32.8	31.3	29.9	28.1	25.5	22																	
		60						30.9	30.5	29.6	28.6	27.5	26.4	25.3	24.3	23	21.1																
		66							24.9	24.8	24.5	24.3	23.7	22.8	21.9	21.1	20.3	19.6	18.6	15.7													
		72								21.1	21	20.8	20.7	20.1	19.3	18.6	18	17.4	16.7	16.1	15												
		78									17.4	17.4	17.4	17.2	16.8	16.3	15.9	15.4	15	14.5	14	13.5	10.5										
		84										13.5	13.5	13.5	13.5	13.3	13	12.7	12.5	12.1	11.7	11.3	10.9	10.6	10.4								
90											10.6	10.6	10.6	10.6	10.4	10.1	9.9	9.7	9.3	9	8.6	8.3	8	7.9	7.2								
73		48									30.2	27	24.4	22.1	20.2																		
		54										26.2	23.5	21.3	19.4	17.7	16.3																
		60											24.8	23.2	20.9	19	17.4	15.9	14.7														
		66												19.4	18.8	18.2	16.5	15	13.8	12.6	11.6												
		72													16.1	15.8	15.5	14.2	12.9	11.7	10.7	9.8											
		78														13.9	13.7	13.6	13.4	12.7	11.6	10.5	9.6	8.8	8								
		84															10.8	10.7	10.7	10.6	10.5	10.4	9.4	8.6	7.8	7.2							
		90																8.2	8.1	8.1	8	7.9	7.9	7.8	7.4	6.7	6.1	5.5					
		65		48												19	17.3	15.8	14.5														
				54													16.4	14.9	13.6	12.5													
60																	14.5	13.2	12.1	11.1	10.2												
66																		12.3	11.2	10.2	9.2	8.4											
72																			11.4	10.3	9.2	8.3	7.5	6.8	6.2								
78																				10.1	9.1	8.1	7.3	6.6	5.9	5.3							
84																					8.4	7.9	7.1	6.4	5.7	5.1	4.5	4					
90																						6.1	6.1	5.9	5.3	4.6	4.1	3.6	3.1				

t = metric tons.

The content in this document is mentioned for reference use only. Values may differ from current data. Always contact Mammoet for current project calculations.

Boom length (m)	Boom angle (°)	Jib length (m)	Radius (m)																																		
			18	20	22	24	26	28	30	34	38	42	46	50	54	58	62	66	70	74	78	82	86	90	94	98	102	106	110								
47.2	83	30			57.4	55.3	53.5	51.7	49.8	45.1																											
		36			50.5	48.8	47.2	45.7	44.3	41.6	39	30.3																									
		42				42.9	41.6	40.3	39	36.9	34.9	33.3	30.9																								
		48					38.4	37.5	36.6	35.7	33.9	32.2	30.7	29.5	28.3	20.9																					
		54						32.6	31.9	31.2	29.8	28.5	27.2	25.9	25	24.1	23.1																				
		60							26.4	26.1	25.6	25.1	24.1	23	22.1	21.4	20.6	20.1	14.8																		
		66								22.1	21.7	21.3	20.7	19.9	19	18.3	17.7	17.1	16.6	16.1																	
		72									17.9	17.9	17.9	17.4	16.7	16	15.4	14.9	14.4	14	13.9	9.5															
		78										14.8	14.8	14.8	14.8	14.4	14	13.6	13.2	12.8	12.4	12	11.9	11.4													
		84											11.1	11.1	11.1	11.1	11.1	11.1	11.1	11.1	10.8	10.6	10.4	10.3	10.2	6.5											
90												8.5	8.5	8.5	8.5	8.5	8.5	8.5	8.5	8.5	8.3	8.2	8	7.9	7.7	7.6											
73	30	30									39.1	34.4	30.7																								
		36										33.5	29.7	26.6	24.1																						
		42											28.9	25.8	23.2	21																					
		48												28.8	26.4	23.8	21.6	19.7	18.1																		
		54													24.1	22.9	20.7	18.8	17.2	15.8																	
		60														20	19.3	18.5	16.8	15.4	14.2	13.1															
		66															17	16.6	16.2	15.8	14.5	13.3	12.2	11.2													
		72																14.1	13.8	13.4	13.1	12.4	11.3	10.3	9.4	8.6											
		78																	11.2	11	10.9	10.7	10.5	10.1	9.2	8.3	7.6										
		84																			8.8	8.7	8.7	8.6	8.5	8.4	8.2	7.4	6.8	6.2							
90																				6.7	6.7	6.7	6.7	6.7	6.7	6.7	6.3	5.7	5.2								
65	30	30																																			
		36																																			
		42																																			
		48																																			
		54																																			
		60																																			
		66																																			
		72																																			
		78																																			
		84																																			
90																																					
51.8	83	30			48.3	46.5	45	43.6	42.2	40.3																											
		36			41.9	40.5	39.2	37.9	36.8	34.7	33.3	32.1																									
		42				35.5	34.4	33.3	32.2	30.5	28.8	27.8	26.8																								
		48					31.1	30.2	29.4	27.8	26.5	25.2	24.4	23.6	23																						
		54						26.6	25.9	24.5	23.2	22.2	21.2	20.5	19.9	19.4																					
		60							22.9	22.3	21.3	20.2	19.3	18.5	17.7	17.2	16.7	16.3	16																		
		66								18.5	17.9	17.3	16.6	15.9	15.2	14.6	14.2	13.8	13.4	13.2																	
		72									14.9	14.6	14.2	13.7	13.2	12.6	12	11.7	11.3	11	10.8	10.7															
		78										11.4	11.4	11.4	11.4	11.1	10.8	10.5	10.1	9.8	9.5	9.3	9.1	9													
		84											9	9	9	9	8.9	8.8	8.7	8.6	8.4	8.1	7.9	7.7	7.7	7.6											
90												6.1	6.1	6.1	6.1	6.1	6.1	6.1	6.1	6.1	6.1	6.1	6.1	6.1	6.1	6.1	6.1	6.1	6.1	6.1	6.1						
73	48	48																																			
		54																																			
		60																																			
		66																																			
		72																																			
		78																																			
		84																																			
		90																																			
		65	48	48																																	
				54																																	
60																																					
66																																					
72																																					
78																																					
84																																					
90																																					
51.8	83			48																																	
				54																																	
		60																																			
		66																																			
		72																																			
		78																																			
		84																																			
		90																																			
		65	48	48																																	
				54																																	
60																																					
66																																					
72																																					
78																																					
84																																					
90																																					