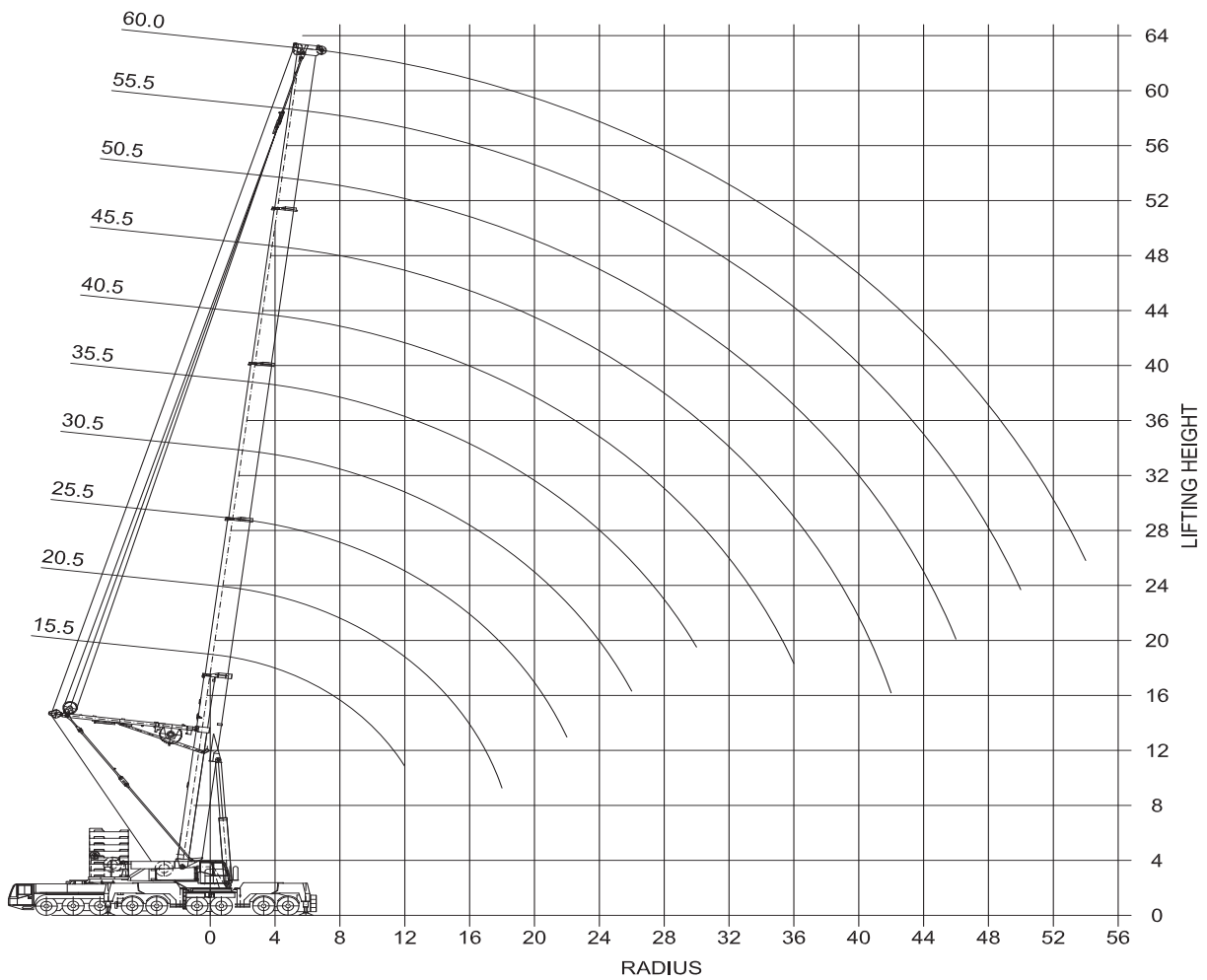


Dimensions are in millimeters.
The content in this document is mentioned for reference use only. Values may differ from current data. Always contact Mammoet for current project calculations.



Dimensions are in meters.
 The content in this document is mentioned for reference use only. Values may differ from current data. Always contact Mammoet for current project calculations.

Main boom

- Outrigger base: 12.2×12.4 m (center support)
- Ballast: 160 - 0 t

Ballast (t)	Boom length (m)	Radius (m)																																
		3	3.5	4	4.5	5	6	7	8	9	10	11	12	14	16	18	20	22	24	26	28	30	32	34	36	38	40	42	44	46	48	50	54	
160	15.5	650	473	435	403	375	330	294	264	236	212	191	171																					
	20.5	312	312	312	312	312	296	266	240	219	201	186	172	146	126	93																		
	25.5			300	300	300	271	243	220	200	183	169	156	137	121	109	98	81																

Main boom

- Outrigger base: 12.2×12.4 m
- Ballast: 160 - 0 t

Ballast (t)	Boom length (m)	Radius (m)																																		
		3	3.5	4	4.5	5	6	7	8	9	10	11	12	14	16	18	20	22	24	26	28	30	32	34	36	38	40	42	44	46	48	50	54			
140	15.5	312	312	311	293	276	248	224	205	188	174	162	150																							
	20.5	312	312	310	291	275	246	223	203	186	172	160	149	130	116	93																				
	25.5			300	292	275	247	223	204	187	173	161	149	131	116	104	92	81																		
	30.5					230	218	206	195	183	172	161	150	131	115	102	92	83	75	68																
	35.5						197	187	176	166	156	146	137	128	115	104	96	88	80	74	68	62	56	50												
	40.5							158	146	135	125	116	108	101	89	79	71	64	58	52	48	44	41	38	35	33										
	45.5								123	116	110	104	98	92	82	74	66	60	54	49	45	41	38	36	33	31	29	27	25							
	50.5									102	96	91	86	76	69	62	56	51	47	44	40	37	35	32	30	28	26	24	23	22						
	55.5										83	79	74	67	61	56	52	48	45	42	39	36	34	31	29	28	26	24	23	22	20	19				
	60													65	59	54	50	46	43	40	37	35	32	30	28	27	25	23	22	21	20	19	18	16		

Main boom

- Outrigger base: 9×8.8 m
- Ballast: 160 - 0 t

Ballast (t)	Boom length (m)	Radius (m)																																			
		3	3.5	4	4.5	5	6	7	8	9	10	11	12	14	16	18	20	22	24	26	28	30	32	34	36	38	40	42	44	46	48	50	54				
120	15.5	215	211	207	204	200	195	190	174	158	145	134	123																								
	20.5	223	219	216	213	210	205	191	172	156	143	132	121	93	75	62																					
	25.5			211	208	205	200	192	173	157	144	133	122	94	75	62	53	45																			
	30.5					196	191	187	174	158	145	134	123	96	77	64	54	46	40	35																	
	35.5						188	182	176	166	156	146	135	125	98	79	65	55	48	42	37	33	29	26													
	40.5							158	146	135	125	116	108	101	89	78	64	54	47	41	36	32	28	25	22	20											
	45.5								123	116	110	104	98	92	82	74	65	55	47	41	36	32	28	25	23	20	18	17	15								
	50.5									102	96	91	86	76	69	62	55	48	41	36	32	29	26	23	21	19	17	15	14	13							
	55.5										83	79	74	67	61	56	52	48	43	37	33	30	26	24	22	20	18	16	15	14	12	11					
	60														65	59	54	50	46	43	40	37	33	30	27	24	22	20	18	16	15	14	12	11	10		

t = metric tons.

The content in this document is mentioned for reference use only. Values may differ from current data. Always contact Mammoet for current project calculations.

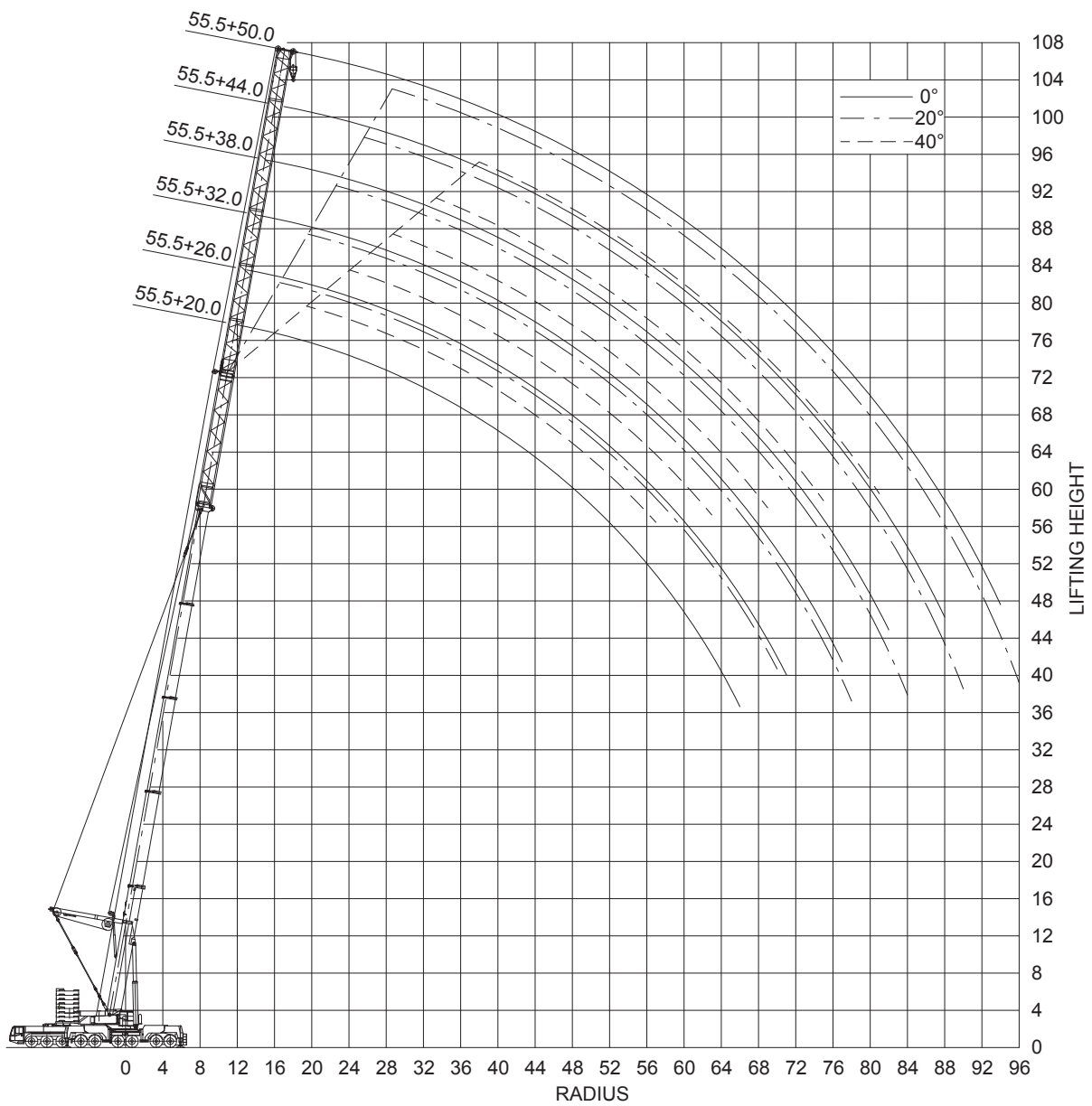
Guyed main boom

- Outrigger base: 12.2x12.4 m
- Ballast: 160 - 100 t

Ballast (t)	Boom length (m)	Radius (m)																												
		5	6	7	8	9	10	11	12	14	16	18	20	22	24	26	28	30	32	34	36	38	40	42	44	46	48	50	54	
160	35.5	195	195	192	189	184	172	160	148	129	115	102	92	84	76	68	62	55	43											
	40.5		164	160	157	154	150	146	142	131	116	104	93	85	77	70	63	58	53	48	40									
	45.5			139	135	132	130	127	125	121	116	105	94	86	78	71	64	59	54	50	46	42	36							
	50.5				114	113	112	110	109	105	102	98	92	86	80	72	66	60	55	51	47	44	41	38	33	27				
	55.5					94	92	91	89	86	82	78	74	70	67	63	60	57	54	51	48	45	42	39	36	34	31	26		
	60						72	71	70	69	67	64	61	58	55	53	50	48	46	44	43	41	39	38	36	35	34	32	30	23
140	35.5	195	195	192	189	183	169	157	146	128	113	101	90	80	71	64	58	52	43											
	40.5		164	160	157	154	150	146	142	129	114	102	91	81	73	65	59	54	48	44	40									
	45.5			139	135	132	130	127	125	121	115	103	92	82	74	67	60	55	49	45	40	37	34							
	50.5				114	113	112	110	109	105	102	98	92	84	75	68	62	56	51	46	42	38	35	32	30	27				
	55.5					94	92	91	89	86	82	78	74	70	67	63	60	57	52	47	43	39	36	33	31	29	27	25		
	60						72	71	70	69	67	64	61	58	55	53	50	48	46	44	43	41	39	37	34	31	29	27	25	22

t = metric tons.

The content in this document is mentioned for reference use only. Values may differ from current data. Always contact Mammoet for current project calculations.



Dimensions are in meters.
The content in this document is mentioned for reference use only. Values may differ from current data. Always contact Mammoet for current project calculations.

Main boom with fixed jib

- Outrigger base: 12.2x12.4 m
- Ballast: 120 - 60 t

Boom length (m)	Jib offset (°)	Jib length (m)	Radius (m)																																	
			14	16	18	20	22	24	26	28	30	32	34	36	38	40	42	44	46	48	50	54	58	62	66	70	74	78	82	86						
50.5	0	20	47	43	40	37	34	32	30	28	27	25	24	22	21	20	19	18	18	17	16	15	13	12												
		26		37	35	32	30	28	27	25	23	22	21	20	19	18	17	16	16	15	14	13	12	11	10											
		32			31	29	27	25	24	22	21	20	18	18	17	16	15	14	14	13	12	11	10	9.6	8.7	7.8										
		38				24	23	22	21	20	19	18	17	16	15	14	13	13	12	11	10	9.7	8.7	7.8	6.9	6.2	5.5	4.9								
		44				19	18	17	17	16	15	14	14	13	12	12	11	11	10	9.9	9.3	8.3	7.4	6.5	5.7	5	4.4	3.9	3.5							
20	0	50				16	15	14	14	13	12	12	11	10	10	9.6	9	8.5	8	7.5	6.6	5.8	5	4.3	3.7	3.2	2.7	2.3	2							
		26				30	28	27	25	24	23	21	20	19	18	18	17	16	15	15	14	13	12	11	10											
		32					23	22	21	20	19	18	17	16	15	15	14	13	13	12	12	11	10	9.5	8.6	7.9	7.1									
		38						15	15	15	14	14	14	13	13	12	12	12	11	11	10	9	7.9	7	6.1	5.4	4.9									
		44									11	11	10	10	9.7	9.4	9.2	8.9	8.6	8.3	7.8	7.2	6.6	5.9	5.3	4.7	4.1	3.7	3.3							
40	0	50											9.6	9.3	9	8.7	8.4	8	7.7	7.3	7	6.2	5.5	4.8	4.2	3.6	3.1	2.7	2.3	2.1						
		26				26	25	24	23	22	21	20	19	18	17	17	16	15	15	14	13															
		32							19	18	18	17	16	16	15	14	14	13	12	12	11	10														
		38									12	12	11	11	11	11	11	11	10	10	9.9	9.2	8.3	7.1												
		44												8.9	8.7	8.5	8.4	8.2	8	7.8	7.7	7.4	7	6.6	6	5.4										
55.5	0	50														7	6.9	6.7	6.5	6.4	5.9	5.4	4.8	4.2	3.7	3.2	2.8									
		26			36	34	32	30	28	26	25	24	22	21	20	19	18	18	17	16	15	15	13	12	11	10										
		32				28	27	25	23	22	21	19	18	17	16	16	15	14	13	13	12	11	10	9.8	8.8	8	7.1									
		38					23	22	21	19	18	17	16	16	15	14	13	12	11	11	10	9.3	8.2	7.2	6.4	5.6	5	4.5								
		44						20	19	17	16	16	15	14	13	12	12	11	10	9.6	9	8.4	7.3	6.4	5.7	5	4.4	3.8	3.4	2.9						
20	0	50					14	13	12	11	10	10	9.4	8.7	8.1	7.6	7	6.5	6.1	5.6	4.8	4.1	3.4	2.8	2.2											
		26					23	22	21	20	19	18	17	16	15	14	13	13	12	11	11	10	9.3	8.5	7.8	7.1										
		32						17	16	15	15	14	13	12	12	11	11	10	10	9.5	8.5	7.7	6.9	6.2	5.6	5.1	4.6									
		38							14	13	13	12	12	11	10	10	9.6	9	8.4	7.4	6.4	5.6	5	4.4	3.8	3.4	3									
		44									11	10	9.9	9.4	8.9	8.4	8	7.5	7.1	6.7	5.9	5.1	4.4	3.7	3.1	2.6	2.2									
40	0	50											8.6	8.1	7.7	7.3	6.9	6.5	6	5.6	4.8	4.1	3.4	2.8	2.3											
		26					21	20	19	18	17	16	15	14	14	13	12	11	11	10	9.7	8.8														
		32								14	13	13	12	11	11	10	10	9.7	9.3	8.8	8	7.2	6.4													
		38									12	11	11	10	10	9.6	9.1	8.6	8.1	7.1	6.2	5.4	4.7	4.2												
		44												8.4	8.1	7.7	7.4	7	6.6	6.3	5.6	4.9	4.2	3.6	3.1	2.6										
60	0	6	46	43	39	37	34	32	30	28	26	24	23	22	20	19	18	17	16	15	14	13	11													
		12		37	34	31	29	27	26	24	23	22	20	19	18	17	16	16	15	14	13	12	11	9.9												
		18			31	29	27	25	24	22	21	20	19	18	17	16	15	15	14	13	13	12	11	10	8.9	8										
		24				24	22	21	20	19	18	17	16	15	15	14	13	13	12	11	11	10	9.6	8.6	7.7	6.8	6	5.2								
		30					18	18	17	16	16	15	14	14	13	12	12	11	10	10	9.7	9.1	8.1	7.2	6.3	5.5	4.7	4	3.3							
		36						15	15	14	13	13	12	12	11	10	10	9.8	9.3	8.8	8.3	7.8	7.4	6.4	5.6	4.8	4	3.4	2.7	2.2						
		20	0	12					28	26	25	24	23	22	21	20	19	18	17	16	15	15	14	13	12	11	10									
				18						21	20	19	19	18	17	16	16	15	14	14	13	13	12	12	10	9.9	8.9	8	7.3							
				24							15	14	14	13	13	13	12	12	12	11	11	10	10	9.5	8.6	7.8	6.9	6.1	5.4							
				30								12	12	11	11	10	10	9.7	9.2	8.8	8.3	7.9	7.1	6.4	5.7	5	4.4	3.9	3.4	3						
				36									9.7	9.3	9	8.6	8.3	7.9	7.6	7.3	6.9	6.6	5.9	5.3	4.7	4.1	3.5	2.9	2.4							
40	0	12					24	23	22	21	21	20	19	18	18	17	16	15	15	14	13															
		18						17	17	16	16	15	15	14	14	13	13	12	12	11	10	10														
		24									11	11	11	11	11	11	11	10	10	10	10	9.6	8.9	8.1												
		30										9.4	9.1	8.8	8.5	8.2	7.9	7.6	7.3	6.8	6.3	5.7	5.2													
		36																6.9	6.6	6.4	6.2	6	5.6	5.1	4.7	4.2	3.7	3.2								

t = metric tons.

The content in this document is mentioned for reference use only. Values may differ from current data. Always contact Mammoet for current project calculations.

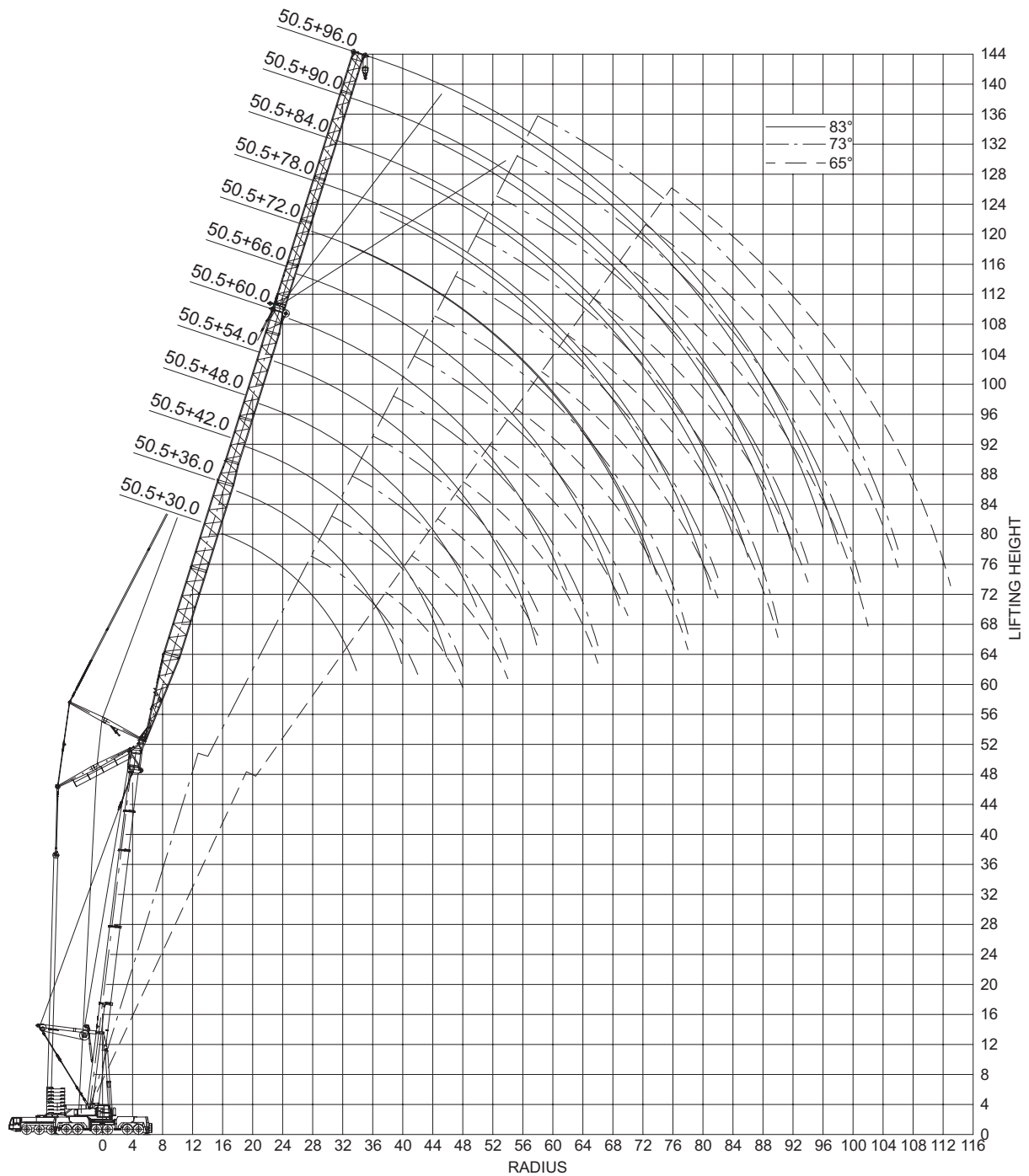
Guyed main boom with fixed jib

- Outrigger base: 12.2x12.4 m
- Ballast: 160 - 100 t

Boom length (m)	Jib offset (°)	Jib length (m)	Radius (m)																																					
			10	11	12	14	16	18	20	22	24	26	28	30	32	34	36	38	40	42	44	46	48	50	54	58	62	66	70	74	78	82	86	90	94	96				
55.5	0	20			42	41	39	38	37	36	35	34	33	31	30	29	28	27	26	25	24	23	22	22	20	19	17	15												
		26			31	30	30	29	29	28	27	26	26	25	24	23	23	22	21	20	20	19	18	18	17	16	15	14	13	13										
		32			26	26	25	25	24	24	23	23	22	22	21	20	20	19	18	18	17	16	16	15	13	13	12	11	10											
		38				22	22	21	21	20	20	19	19	18	18	17	17	16	16	15	14	14	13	13	12	11	10	10	9.7	9.3	8.9									
		44					18	18	17	17	16	16	16	15	15	14	14	13	13	12	12	12	12	11	11	10	9.9	9.5	9	8.6	8.2	7.8	7.4							
20	0	50				14	14	13	13	13	12	12	11	11	11	10	10	10	9.9	9.5	9.2	8.9	8.4	8	7.6	7.2	6.9	6.6	6.4	6.1	5.9	5.7	4.9							
		26					28	27	26	26	25	24	24	23	22	21	21	20	19	19	18	18	17	16	15	14	13	12												
		32						22	21	21	21	20	19	19	18	18	17	17	16	15	15	14	13	13	12	11	10	10	9.6											
		38							16	16	15	15	15	14	14	13	13	13	12	12	12	12	11	10	10	9.8	9.2	8.7	8.1	7.5										
		44									13	12	12	11	11	11	11	10	10	10	9.9	9.5	9	8.6	8.2	7.8	7.4	6.9	6.5	6.1	5.8									
40	0	50											9.8	9.5	9.3	9	8.8	8.6	8.3	8.1	7.9	7.7	7.3	7	6.6	6.3	6	5.7	5.5	5.2	5	4.7	4.4	4.3						
		26						26	25	24	24	23	22	21	21	20	19	19	18	17	17	16	14																	
		32								19	19	19	18	17	17	16	16	15	15	14	14	13	12	11	11															
		38									12	12	12	12	11	11	11	11	10	10	10	10	9.5	9	8.5															
		44														9.9	9.7	9.6	9.4	9.2	9	8.8	8.6	8.2	7.9	7.5	7.1	6.7	6.4											
60	0	50														7	6.8	6.7	6.6	6.4	6.3	6	5.8	5.5	5.3	5	4.8	4.5												
		6	52	52	52	51	49	48	46	45	43	42	40	39	38	37	35	34	33	32	31	30	29	28	26															
		12			43	41	40	38	37	35	34	33	32	30	29	28	28	27	26	25	24	23	22	21	20															
		18			35	33	32	31	30	29	28	27	26	25	24	23	22	21	20	20	19	19	19	18	17	16														
		20	12				38	37	36	34	33	32	31	30	29	28	27	26	26	25	24	24	23	23	22	21														
40	0	18					26	25	24	23	23	22	21	21	20	20	20	19	19	18	18	18	17	17	16															
		12					30	30	30	29	29	28	27	27	26	26	25	25	24																					
		18						20	20	19	19	18	18	18	18	18	17	17	17	17	17	17	17	17	17															

t = metric tons.

The content in this document is mentioned for reference use only. Values may differ from current data. Always contact Mammoet for current project calculations.



Dimensions are in meters.
 The content in this document is mentioned for reference use only. Values may differ from current data. Always contact Mammoet for current project calculations.

Guyed main boom with luffing jib

- Outrigger base: 12.2x12.4 m
- Ballast: 160 - 80 t

Boom length (m)	Boom angle (°)	Jib length (m)	Radius (m)																																			
			15	16	18	20	22	24	26	28	30	32	34	36	38	40	42	44	46	48	50	54	58	62	66	70	74	78	82	86	90	94	98	105	106			
35.5 + 4	83	30	67	67	67	67	66	65	64	59	55	50																										
		42			45	45	45	45	45	45	44	44	42	40	38	36	34																					
		54					30	30	30	30	30	30	30	30	30	29	29	28	27	27	25																	
		66						21	21	21	21	21	21	21	21	21	21	21	21	20	20	19	17															
		78							16	16	16	16	16	16	16	16	16	16	16	16	16	15	15	15	14	10												
		90										11	11	11	11	11	11	11	11	10	10	10	10	10	10	10	9.8	9.5	9.3	9.1	8.8	6.5						
		73	30								62	60	57	54	51	48																						
			42									45	44	44	44	43	42	40	38	36	34																	
			54													30	30	30	30	29	29	27	26	24														
66																21	21	21	21	20	20	20	19	18														
78																		16	16	16	16	16	15	15	15	15	14	12										
65	30												48	45	42	40	38																					
	42															39	37	35	33	31	28																	
	54																			29	27	24	22	20														
	66																					21	21	19	18	16	15											
	78																						16	16	16	14	13	12	11									
45.5 + 4	83	30		45	45	45	45	45	44	42	39	37																										
		42				30	30	30	30	30	30	30	29	28	28	27	26	25																				
		54					23	23	23	23	23	23	23	23	23	22	22	21	21	20	19																	
		66						14	14	14	14	14	14	14	14	14	14	14	14	14	14	14	14	14	14	14	14	14	14	14	14	14	14	14	14	14		
		78								9.3	9.3	9.3	9.3	9.3	9.3	9.3	9.3	9.3	9.3	9.3	9.3	9.3	9.3	9.3	9.3	9.3	9.3	9.3	9.3	9.3	9.3	9.3	9.3	9.3	9.3	9.3		
		90										4.5	4.5	4.5	4.5	4.5	4.5	4.5	4.5	4.5	4.5	4.5	4.5	4.5	4.5	4.5	4.5	4.5	4.5	4.5	4.5	4.5	4.5	4.5	4.5	4.5		
		73	30								44	43	41	40	38	36	34																					
			42											29	29	29	29	28	28	27	26	23																
			54														23	23	23	23	23	22	20	19	17													
66																					14	14	14	14	14	14	14	14	14	14	14	14	14	14	14			
78																						9.3	9.3	9.3	9.3	9.3	9.3	9.3	9.3	9.3	9.3	9.3	9.3	9.3	9.3			
65	30															34	33	32	30	29																		
	42																				28	27	25	23														
	54																					22	21	20	18	16												
	66																						14	14	14	14	13	12										
	78																							9	9	9	9	9	9	9	9	9	9	9	9			
55.5 + 4	83	30			24	24	24	24	24	24	24	24	24																									
		42				16	16	16	16	16	16	16	16	16	16	16	16	16	16	16																		
		54					12	12	12	12	12	12	12	12	12	12	12	12	12	12	12	12	12	12	12	12	12	12	12	12	12	12	12	12	12	12		
		66						6.5	6.5	6.5	6.5	6.5	6.5	6.5	6.5	6.5	6.5	6.5	6.5	6.5	6.5	6.5	6.5	6.5	6.5	6.5	6.5	6.5	6.5	6.5	6.5	6.5	6.5	6.5	6.5	6.5		
		78								3.3	3.3	3.3	3.3	3.3	3.3	3.3	3.3	3.3	3.3	3.3	3.3	3.3	3.3	3.3	3.3	3.3	3.3	3.3	3.3	3.3	3.3	3.3	3.3	3.3	3.3			
		73	30									24	24	23	23	22	21																					
			42												15	15	15	15	15	15	14																	
			54																				11	11	11	11	11	10	10									
			66																						6.5	6.5	6.5	6.5	6.5	6.5	6.5	6.5	6.5	6.5	6.5	6.5	6.5	
78																								3.3	3.3	3.3	3.3	3.3	3.3	3.3	3.3	3.3	3.3	3.3	3.3			
65	30																20	19	18																			
	42																						14	14	13													
	54																								10	10	9.5	8.8										
	66																									6.5	6.3	6.1	5.9	5.6	5.3							
	78																											3.3	3.3	3.3	3.3	3.2	3.1	3				

t = metric tons.

The content in this document is mentioned for reference use only. Values may differ from current data. Always contact Mammoet for current project calculations.