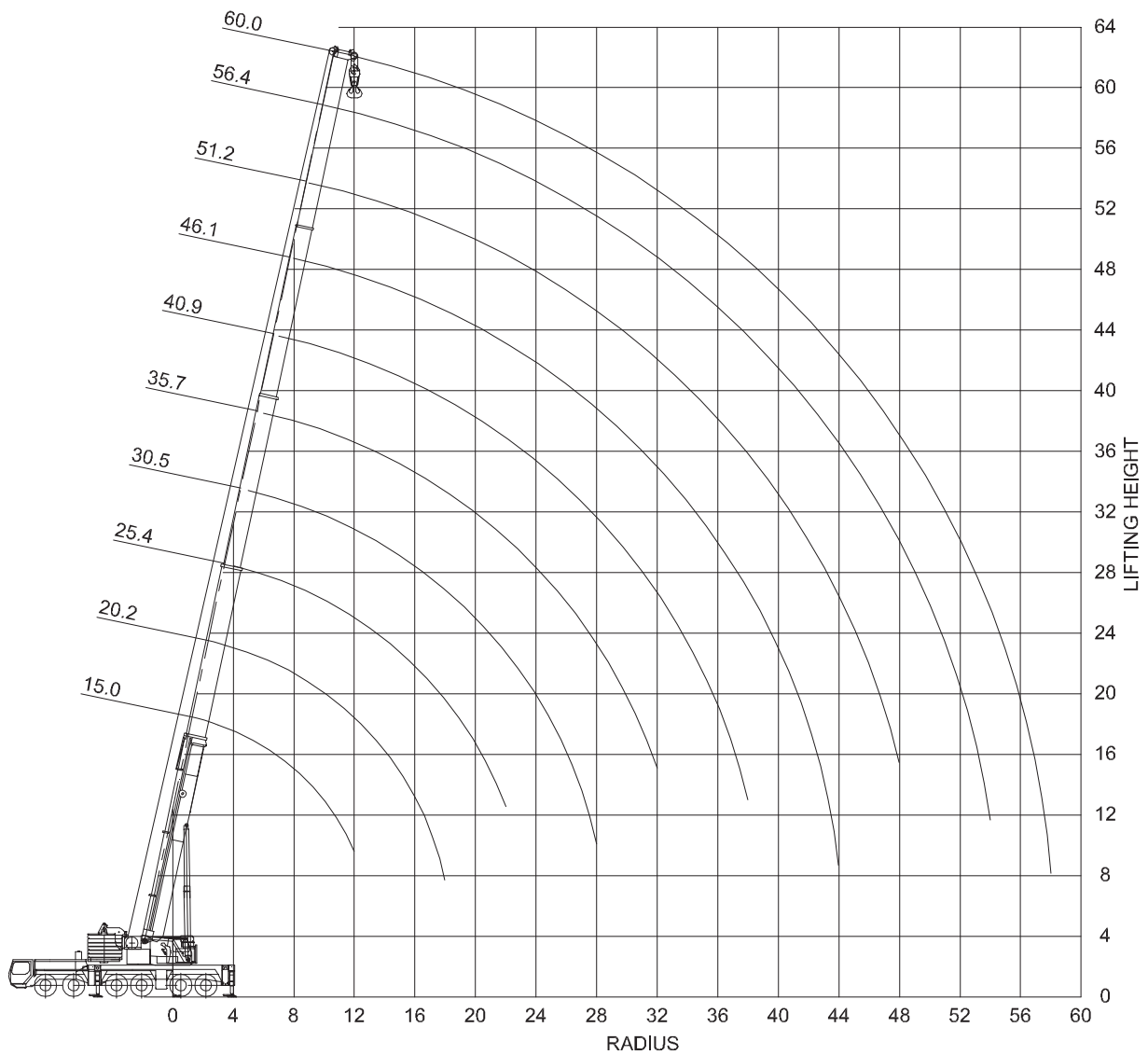


Dimensions are in millimeters.  
The content in this document is mentioned for reference use only. Values may differ from current data. Always contact Mammoet for current project calculations.



Dimensions are in meters.  
 The content in this document is mentioned for reference use only. Values may differ from current data. Always contact Mammoet for current project calculations.

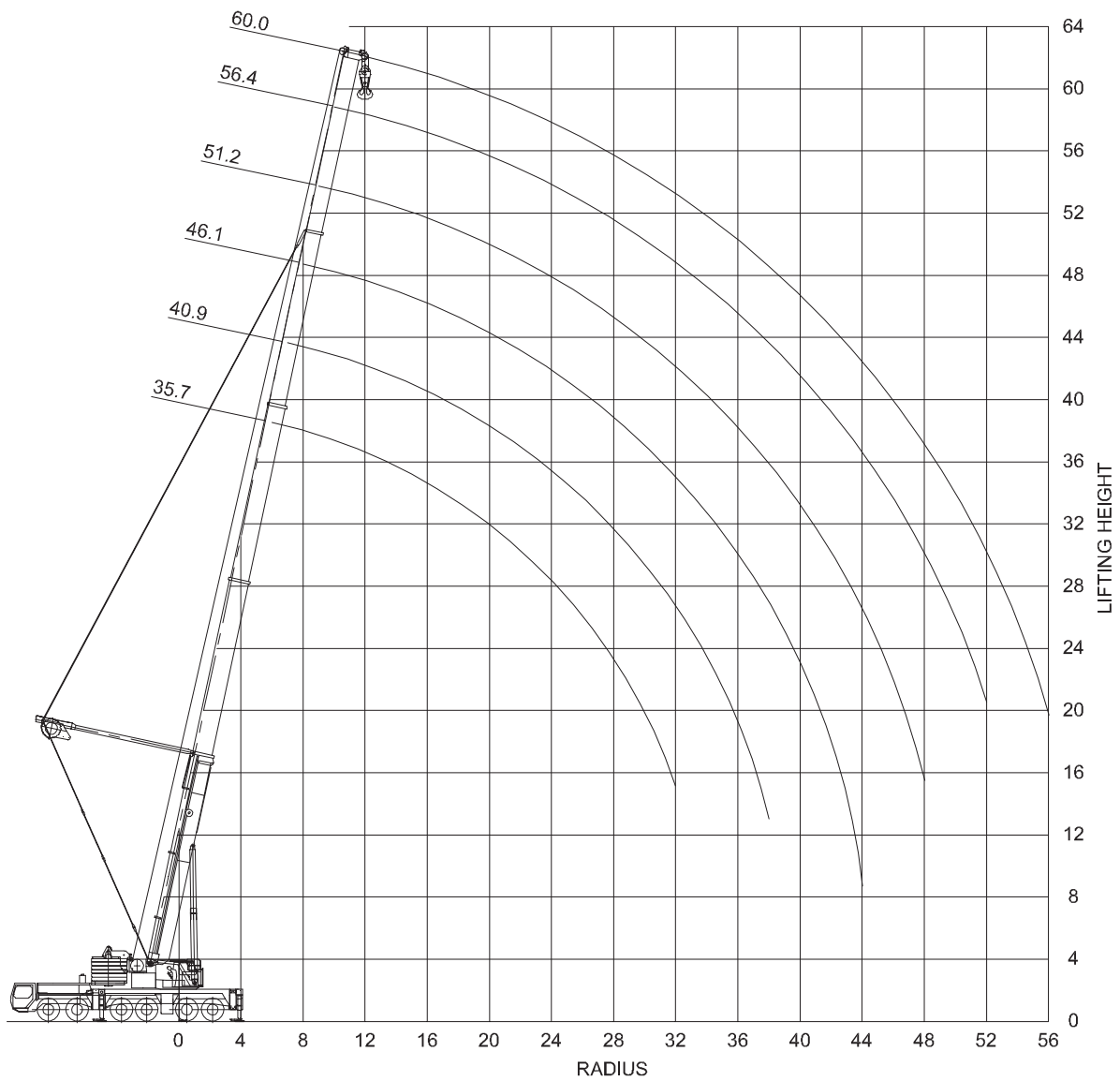
### Main boom

- Outrigger base: 8.9×8.5 m
- Ballast: 112.5 - 0 t

| Boom length (m) | Ballast (t) | Radius (m) |     |     |     |      |     |      |      |      |      |      |      |      |      |      |      |      |      |      |      |      |      |      |      |      |      |      |      |      |     |     |    |    |  |
|-----------------|-------------|------------|-----|-----|-----|------|-----|------|------|------|------|------|------|------|------|------|------|------|------|------|------|------|------|------|------|------|------|------|------|------|-----|-----|----|----|--|
|                 |             | 3          | 3.5 | 4   | 4.5 | 5    | 6   | 7    | 8    | 9    | 10   | 11   | 12   | 14   | 16   | 18   | 20   | 22   | 24   | 26   | 28   | 30   | 32   | 34   | 36   | 38   | 40   | 42   | 44   | 46   | 48  | 50  | 54 | 58 |  |
| 15              | 0           | 175        | 157 | 139 | 124 | 107  | 72  | 52   | 39.5 | 31   | 24.3 | 20   | 15.7 |      |      |      |      |      |      |      |      |      |      |      |      |      |      |      |      |      |     |     |    |    |  |
|                 | 50          | 194        | 178 | 163 | 150 | 139  | 121 | 104  | 90   | 80   | 71   | 64.5 | 58   |      |      |      |      |      |      |      |      |      |      |      |      |      |      |      |      |      |     |     |    |    |  |
|                 | 87.5        | 201        | 185 | 171 | 159 | 148  | 129 | 114  | 102  | 91   | 82   | 74.5 | 67   |      |      |      |      |      |      |      |      |      |      |      |      |      |      |      |      |      |     |     |    |    |  |
| 20.2            | 0           |            | 152 | 139 | 110 | 90   | 62  | 45.5 | 35   | 27.3 | 21.4 | 17.5 | 13.6 | 8.9  | 5.7  |      |      |      |      |      |      |      |      |      |      |      |      |      |      |      |     |     |    |    |  |
|                 | 50          |            | 152 | 152 | 150 | 139  | 120 | 104  | 91   | 80   | 71   | 64.5 | 58   | 48   | 40.5 | 34.5 |      |      |      |      |      |      |      |      |      |      |      |      |      |      |     |     |    |    |  |
|                 | 87.5        |            | 152 | 152 | 152 | 148  | 129 | 114  | 102  | 91   | 82   | 74.5 | 67   | 57   | 49   | 42.5 |      |      |      |      |      |      |      |      |      |      |      |      |      |      |     |     |    |    |  |
| 25.4            | 0           |            |     | 112 | 91  | 74   | 52  | 39   | 30   | 22.9 | 17.8 | 14.4 | 11   | 6.7  |      |      |      |      |      |      |      |      |      |      |      |      |      |      |      |      |     |     |    |    |  |
|                 | 50          |            |     | 152 | 149 | 138  | 120 | 103  | 90   | 79   | 71   | 64.5 | 58   | 47.5 | 39.5 | 33.5 | 28.3 | 24.1 |      |      |      |      |      |      |      |      |      |      |      |      |     |     |    |    |  |
|                 | 87.5        |            |     | 152 | 152 | 142  | 128 | 113  | 101  | 90   | 81   | 74   | 67   | 56   | 48   | 42   | 37   | 32.5 |      |      |      |      |      |      |      |      |      |      |      |      |     |     |    |    |  |
| 30.5            | 0           |            |     |     | 71  | 52   | 41  | 33   | 26.4 | 21.6 | 18.3 | 15   | 10.6 | 7.6  | 5.4  |      |      |      |      |      |      |      |      |      |      |      |      |      |      |      |     |     |    |    |  |
|                 | 50          |            |     |     | 121 | 111  | 101 | 91   | 80   | 72   | 65.5 | 59   | 48   | 40.5 | 34   | 29.3 | 25   | 21.6 | 18.8 | 16.6 |      |      |      |      |      |      |      |      |      |      |     |     |    |    |  |
|                 | 87.5        |            |     |     | 121 | 111  | 101 | 93   | 85   | 79   | 73   | 67   | 57   | 49   | 42.5 | 37.5 | 33.5 | 29.6 | 26.5 | 24   |      |      |      |      |      |      |      |      |      |      |     |     |    |    |  |
| 35.7            | 0           |            |     |     |     | 45.5 | 36  | 28.4 | 22.7 | 18.5 | 15.6 | 12.6 | 8.6  | 5.8  |      |      |      |      |      |      |      |      |      |      |      |      |      |      |      |      |     |     |    |    |  |
|                 | 50          |            |     |     |     | 90   | 83  | 77   | 71   | 67   | 62.5 | 58   | 47.5 | 39.5 | 33.5 | 28.4 | 24.3 | 20.8 | 18   | 15.7 | 13.7 | 12   |      |      |      |      |      |      |      |      |     |     |    |    |  |
|                 | 87.5        |            |     |     |     | 90   | 83  | 77   | 71   | 67   | 62.5 | 58   | 52   | 46.5 | 41.5 | 37   | 32.5 | 28.7 | 25.6 | 22.9 | 20.7 | 18.7 |      |      |      |      |      |      |      |      |     |     |    |    |  |
| 40.9            | 0           |            |     |     |     |      | 35  | 28   | 22.8 | 18.9 | 16.1 | 13.4 | 9.6  | 6.9  |      |      |      |      |      |      |      |      |      |      |      |      |      |      |      |      |     |     |    |    |  |
|                 | 50          |            |     |     |     |      | 73  | 68   | 63   | 60   | 56.5 | 53   | 46.5 | 40.5 | 34.5 | 29.5 | 25.5 | 22   | 19.1 | 16.8 | 14.8 | 13.1 | 11.5 | 10.2 | 9.1  |      |      |      |      |      |     |     |    |    |  |
|                 | 87.5        |            |     |     |     |      | 73  | 68   | 63   | 60   | 56.5 | 53   | 46.5 | 41.5 | 37.5 | 34.5 | 31.5 | 28.7 | 26.5 | 23.9 | 21.6 | 19.6 | 17.8 | 16.3 | 14.9 |      |      |      |      |      |     |     |    |    |  |
| 46.1            | 0           |            |     |     |     |      |     | 26.9 | 22.2 | 18.6 | 16   | 13.4 | 9.9  | 7.3  | 5.3  |      |      |      |      |      |      |      |      |      |      |      |      |      |      |      |     |     |    |    |  |
|                 | 50          |            |     |     |     |      |     | 58   | 55   | 52   | 49.3 | 46.5 | 41   | 37   | 33.5 | 29   | 25.3 | 22.2 | 19.3 | 16.9 | 14.9 | 13.2 | 11.7 | 10.3 | 9.1  | 8.1  | 7.2  | 6.4  |      |      |     |     |    |    |  |
|                 | 87.5        |            |     |     |     |      |     | 58   | 55   | 52   | 49.3 | 46.5 | 41   | 37   | 33.5 | 30.5 | 27.8 | 25.6 | 23.5 | 21.8 | 20.3 | 18.9 | 17.6 | 16.2 | 14.8 | 13.6 | 12.5 | 10.6 |      |      |     |     |    |    |  |
| 51.2            | 0           |            |     |     |     |      |     |      | 19.8 | 16.5 | 14.2 | 11.9 | 8.6  | 6.2  |      |      |      |      |      |      |      |      |      |      |      |      |      |      |      |      |     |     |    |    |  |
|                 | 50          |            |     |     |     |      |     |      | 46.5 | 44.5 | 42.5 | 40.5 | 37   | 33.5 | 30.5 | 27.7 | 25.2 | 22.2 | 19.7 | 17.4 | 15.4 | 13.7 | 12.1 | 10.8 | 9.6  | 8.5  | 7.6  | 6.7  | 6    | 5.3  |     |     |    |    |  |
|                 | 87.5        |            |     |     |     |      |     |      | 46.5 | 44.5 | 42.5 | 40.5 | 37   | 33.5 | 30.5 | 27.7 | 25.3 | 23.3 | 21.6 | 20   | 18.5 | 17.3 | 16.2 | 15.1 | 14.1 | 13.4 | 12.7 | 11.8 | 10.8 | 10   |     |     |    |    |  |
| 56.4            | 0           |            |     |     |     |      |     |      |      | 14.3 | 12.2 | 10.1 | 7    |      |      |      |      |      |      |      |      |      |      |      |      |      |      |      |      |      |     |     |    |    |  |
|                 | 50          |            |     |     |     |      |     |      |      | 37   | 35.5 | 34   | 31.5 | 29.4 | 27.2 | 25.2 | 23.4 | 21.7 | 20   | 18   | 16.1 | 14.3 | 12.8 | 11.5 | 10.3 | 9.2  | 8.2  | 7.4  | 6.6  | 5.9  | 5.3 | 4.2 |    |    |  |
|                 | 87.5        |            |     |     |     |      |     |      |      | 37   | 35.5 | 34   | 31.5 | 29.4 | 27.2 | 25.2 | 23.4 | 21.7 | 20.2 | 18.7 | 17.4 | 16.2 | 15.2 | 14.3 | 13.4 | 12.6 | 11.8 | 11.3 | 10.7 | 10.2 | 9.7 | 8.4 |    |    |  |
| 60              | 0           |            |     |     |     |      |     |      |      |      | 9.8  | 6.9  |      |      |      |      |      |      |      |      |      |      |      |      |      |      |      |      |      |      |     |     |    |    |  |
|                 | 50          |            |     |     |     |      |     |      |      |      | 30.5 | 29   | 27   | 25.2 | 23.5 | 21.8 | 20.2 | 18.8 | 17.5 | 16   | 14.4 | 13   | 11.6 | 10.4 | 9.3  | 8.3  | 7.5  | 6.7  | 6    | 5.3  | 4.2 | 3.3 |    |    |  |
|                 | 87.5        |            |     |     |     |      |     |      |      |      | 30.5 | 29   | 27   | 25.2 | 23.5 | 21.8 | 20.2 | 18.8 | 17.5 | 16.4 | 15.3 | 14.3 | 13.5 | 12.7 | 12   | 11.3 | 10.6 | 10   | 9.6  | 9.1  | 8.2 | 5.4 |    |    |  |

t = metric tons.

The content in this document is mentioned for reference use only. Values may differ from current data. Always contact Mammoet for current project calculations.



Dimensions are in meters.  
The content in this document is mentioned for reference use only. Values may differ from current data. Always contact Mammoet for current project calculations.

**T2A Guyed main boom**

- Outrigger base: 8.9x8.5 m
- Ballast: 112.5 - 0 t

| Boom length (m) | Ballast (t) | Radius (m) |     |     |     |    |    |      |    |      |      |      |      |      |      |      |      |      |      |
|-----------------|-------------|------------|-----|-----|-----|----|----|------|----|------|------|------|------|------|------|------|------|------|------|
|                 |             | 5          | 6   | 7   | 8   | 9  | 10 | 11   | 12 | 14   | 16   | 18   | 20   | 22   | 24   | 26   | 28   | 30   | 32   |
| 30.5            | 50          | 126        | 121 | 107 | 93  | 82 | 73 | 66   | 59 | 48.5 | 40.5 | 34   | 28.9 | 24.7 | 21.2 | 18.2 | 15.5 |      |      |
|                 | 75          | 126        | 121 | 112 | 100 | 89 | 80 | 72.5 | 65 | 55   | 46.5 | 40   | 34.5 | 30   | 26.4 | 23.2 | 20.5 |      |      |
|                 | 87.5        | 126        | 121 | 113 | 102 | 92 | 83 | 75.5 | 68 | 57   | 49   | 42   | 37   | 32.5 | 28.5 | 25.2 | 22.4 |      |      |
|                 | 112.5       |            |     | 113 | 104 | 95 | 87 | 79.5 | 72 | 62   | 53   | 46   | 40.5 | 36   | 32   | 28.5 | 25.5 |      |      |
| 35.7            | 50          |            | 96  | 93  | 90  | 81 | 72 | 65.5 | 59 | 48   | 40   | 33.5 | 28.3 | 24.1 | 20.7 | 17.8 | 15.3 | 13   | 11   |
|                 | 75          |            | 96  | 93  | 90  | 88 | 80 | 72.5 | 65 | 54   | 46   | 39.5 | 34   | 29.5 | 25.8 | 22.7 | 20   | 17.7 | 15.7 |
|                 | 87.5        |            | 96  | 93  | 90  | 88 | 82 | 75   | 68 | 57   | 48.5 | 42   | 36.5 | 32   | 28   | 24.7 | 21.9 | 19.4 | 17.3 |
|                 | 112.5       |            |     | 93  | 90  | 88 | 85 | 78.5 | 72 | 61   | 53   | 46   | 40   | 35.5 | 31.5 | 28   | 25.1 | 22.5 | 20.3 |

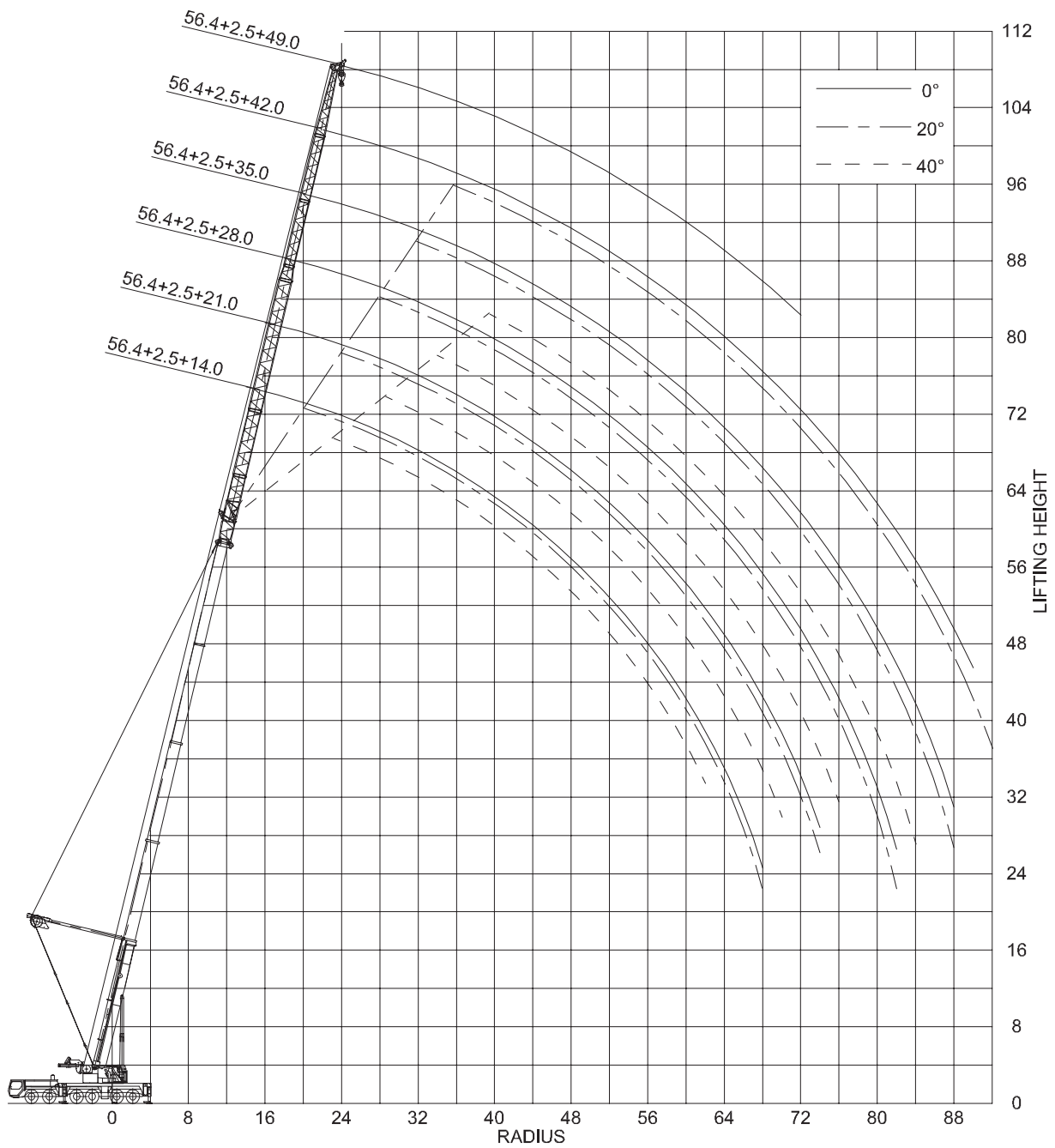
**T3A Guyed main boom**

- Outrigger base: 8.9x8.5 m
- Ballast: 112.5 - 0 t

| Boom length (m) | Ballast (t) | Radius (m) |    |    |      |      |      |      |      |      |      |      |      |      |      |      |      |      |      |      |      |      |      |      |      |      |      |     |    |
|-----------------|-------------|------------|----|----|------|------|------|------|------|------|------|------|------|------|------|------|------|------|------|------|------|------|------|------|------|------|------|-----|----|
|                 |             | 6          | 7  | 8  | 9    | 10   | 11   | 12   | 14   | 16   | 18   | 20   | 22   | 24   | 26   | 28   | 30   | 32   | 34   | 36   | 38   | 40   | 42   | 44   | 46   | 48   | 50   | 54  | 56 |
| 35.7            | 50          | 90         | 87 | 83 | 79   | 74   | 67   | 60   | 50   | 42   | 35.5 | 30.5 | 26.1 | 22.6 | 19.7 | 17.2 | 15   | 13   |      |      |      |      |      |      |      |      |      |     |    |
|                 | 112.5       |            | 87 | 83 | 79   | 76   | 73   | 70   | 63   | 54   | 47.5 | 41.5 | 37   | 33   | 29.8 | 26.8 | 24.3 | 22   |      |      |      |      |      |      |      |      |      |     |    |
| 40.9            | 50          |            | 76 | 74 | 72   | 71   | 65   | 59   | 49   | 41   | 35   | 29.6 | 25.4 | 22   | 19.1 | 16.7 | 14.5 | 12.5 | 10.8 | 9.3  | 8    |      |      |      |      |      |      |     |    |
|                 | 112.5       |            | 76 | 74 | 72   | 71   | 69   | 67   | 62   | 54   | 47   | 41.5 | 36.5 | 32.5 | 29.2 | 26.2 | 23.7 | 21.4 | 19.5 | 17.7 | 16.1 |      |      |      |      |      |      |     |    |
| 46.1            | 50          |            |    | 60 | 59   | 57   | 56   | 55   | 48   | 40.5 | 34.5 | 29.8 | 25.6 | 22.2 | 19.3 | 16.9 | 14.8 | 12.9 | 11.2 | 9.7  | 8.4  | 7.2  | 6.2  | 5.2  |      |      |      |     |    |
|                 | 112.5       |            |    | 60 | 59   | 57   | 56   | 55   | 53   | 51   | 47   | 41.5 | 37   | 33   | 29.4 | 26.4 | 23.9 | 21.6 | 19.7 | 17.9 | 16.3 | 14.9 | 13.6 | 8.8  |      |      |      |     |    |
| 51.2            | 50          |            |    |    | 47.5 | 46.5 | 45.8 | 45   | 43.5 | 40   | 34.5 | 29.8 | 25.9 | 22.7 | 19.9 | 17.5 | 15.4 | 13.6 | 12   | 10.5 | 9.2  | 8    | 7    | 6    | 5.1  | 4.4  |      |     |    |
|                 | 112.5       |            |    |    | 47.5 | 46.5 | 45.8 | 45   | 43.5 | 42   | 40.5 | 39   | 37.5 | 33.5 | 30   | 27   | 24.5 | 22.2 | 20.3 | 18.5 | 16.9 | 15.5 | 14.2 | 13   | 11.9 | 10.9 |      |     |    |
| 56.4            | 50          |            |    |    |      | 38.5 | 38   | 37.5 | 36.5 | 35.5 | 34.5 | 30   | 26.3 | 23.1 | 20.5 | 18.2 | 16.2 | 14.4 | 12.8 | 11.3 | 10.1 | 8.9  | 7.9  | 6.9  | 6.1  | 5.3  | 4.6  |     |    |
|                 | 112.5       |            |    |    |      | 38.5 | 38   | 37.5 | 36.5 | 35.5 | 34.5 | 33   | 32   | 31.5 | 30.5 | 27.8 | 25.2 | 23   | 21   | 19.2 | 17.7 | 16.2 | 14.9 | 13.8 | 12.7 | 11.7 | 10.7 |     |    |
| 60              | 50          |            |    |    |      |      | 31   | 31   | 30.5 | 30   | 29.2 | 25.8 | 22.8 | 20.2 | 18   | 16.1 | 14.4 | 12.8 | 11.4 | 10.1 | 9    | 7.9  | 7    | 6.1  | 5.3  | 4.6  | 3.5  | 2.9 |    |
|                 | 112.5       |            |    |    |      |      | 31   | 31   | 30.5 | 30   | 29.2 | 28.3 | 27.6 | 26.9 | 26.1 | 25.3 | 23   | 21   | 19.3 | 17.7 | 16.3 | 15   | 13.8 | 12.7 | 11.7 | 10.8 | 9.2  | 8.4 |    |

t = metric tons.

The content in this document is mentioned for reference use only. Values may differ from current data. Always contact Mammoet for current project calculations.



Dimensions are in meters.  
The content in this document is mentioned for reference use only. Values may differ from current data. Always contact Mammoet for current project calculations.

### Main boom with fixed jib

- Outrigger base: 8.9×8.5 m
- Ballast: 87.5 - 25 t

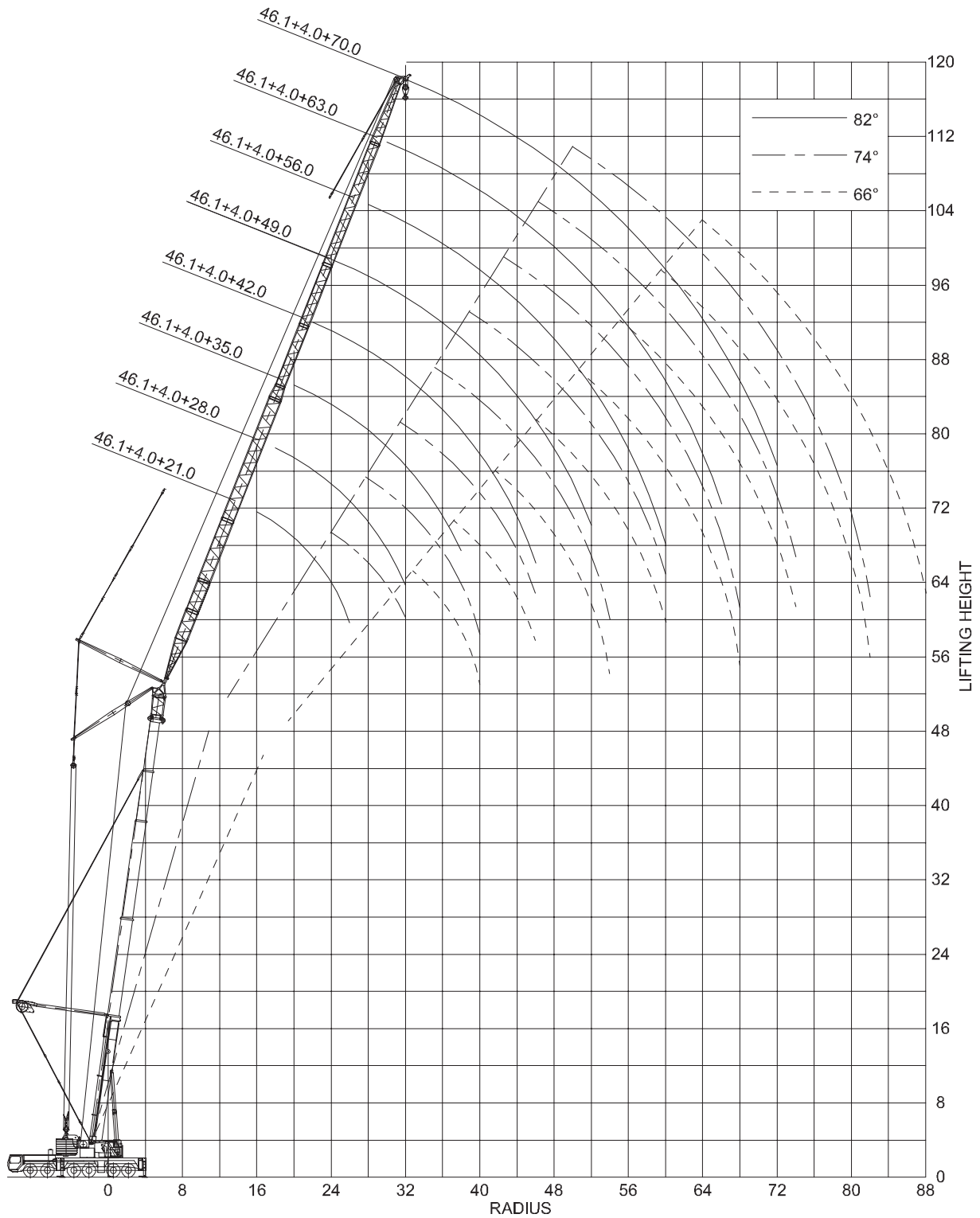
| Boom length (m) | Jib length (m) | Jib offset (°) | Radius (m) |      |      |      |      |      |      |      |      |      |      |      |      |      |      |     |     |     |     |     |     |     |     |     |     |     |     |     |  |  |  |
|-----------------|----------------|----------------|------------|------|------|------|------|------|------|------|------|------|------|------|------|------|------|-----|-----|-----|-----|-----|-----|-----|-----|-----|-----|-----|-----|-----|--|--|--|
|                 |                |                | 12         | 14   | 16   | 18   | 20   | 22   | 24   | 26   | 28   | 30   | 32   | 34   | 36   | 38   | 40   | 42  | 44  | 46  | 48  | 50  | 54  | 58  | 62  | 66  | 70  | 74  | 78  | 82  |  |  |  |
| 46.1            | 14             | 0              | 25.6       | 24.1 | 22.5 | 21.1 | 19.8 | 18.5 | 17.4 | 16.4 | 15.6 | 14.8 | 13.8 | 12.8 | 11.9 | 11.1 | 10.4 | 9.7 | 9   | 8.4 | 7.9 | 7.4 | 6.5 | 5.3 |     |     |     |     |     |     |  |  |  |
|                 |                | 20             |            |      |      | 17.3 | 16.3 | 15.5 | 14.7 | 14   | 13.4 | 12.8 | 12.3 | 11.8 | 11.3 | 10.9 | 10.6 | 9.9 | 9.3 | 8.6 | 8.1 | 7.6 | 6.7 | 5.5 |     |     |     |     |     |     |  |  |  |
|                 |                | 40             |            |      |      |      | 11.3 | 11   | 10.7 | 10.4 | 10.2 | 10   | 9.8  | 9.7  | 9.6  | 9.4  | 9.3  | 9.3 | 9.3 | 8.8 | 8.3 | 7.7 | 6.7 |     |     |     |     |     |     |     |  |  |  |
| 51.2            | 14             | 0              |            | 21   | 19.9 | 18.7 | 17.7 | 16.5 | 15.5 | 14.5 | 13.6 | 12.9 | 12.1 | 11.4 | 10.7 | 10   | 9.3  | 8.7 | 8.1 | 7.5 | 7   | 6.5 | 5.7 | 4.9 | 4.1 |     |     |     |     |     |  |  |  |
|                 |                | 20             |            |      |      | 16.6 | 15.7 | 14.8 | 13.9 | 13.2 | 12.4 | 11.8 | 11.2 | 10.7 | 10.1 | 9.6  | 9.2  | 8.8 | 8.3 | 7.7 | 7.2 | 6.6 | 5.8 | 5   | 4.2 |     |     |     |     |     |  |  |  |
|                 |                | 40             |            |      |      |      | 10.8 | 10.6 | 10.4 | 10.1 | 9.9  | 9.8  | 9.6  | 9.5  | 9.4  | 9    | 8.6  | 8.3 | 7.9 | 7.4 | 6.9 | 5.9 | 5.1 |     |     |     |     |     |     |     |  |  |  |
| 56.4            | 14             | 0              |            | 16.2 | 15.4 | 14.5 | 13.8 | 12.9 | 12.2 | 11.5 | 10.9 | 10.3 | 9.7  | 9.2  | 8.7  | 8.2  | 7.8  | 7.4 | 7.1 | 6.7 | 6.3 | 5.9 | 5   | 4.3 | 3.7 | 3.3 |     |     |     |     |  |  |  |
|                 |                | 20             |            |      |      | 11.5 | 10.8 | 10.3 | 9.8  | 9.3  | 8.9  | 8.5  | 8.1  | 7.8  | 7.4  | 7.2  | 6.9  | 6.6 | 6.3 | 6.1 | 5.8 | 5.2 | 4.4 | 3.9 | 3.3 |     |     |     |     |     |  |  |  |
|                 |                | 40             |            |      |      |      | 9.2  | 8.8  | 8.4  | 8.1  | 7.8  | 7.5  | 7.2  | 7    | 6.8  | 6.6  | 6.4  | 6.2 | 6   | 5.8 | 5.4 | 4.7 | 4   |     |     |     |     |     |     |     |  |  |  |
|                 | 21             | 0              |            |      | 11.9 | 11.2 | 10.6 | 10.1 | 9.5  | 8.9  | 8.3  | 7.8  | 7.4  | 7    | 6.6  | 6.3  | 5.9  | 5.6 | 5.4 | 5.1 | 4.9 | 4.6 | 4.2 | 3.8 | 3.3 | 2.8 | 2.5 | 2.1 |     |     |  |  |  |
|                 |                | 20             |            |      |      |      | 7.7  | 7.3  | 6.9  | 6.6  | 6.2  | 5.9  | 5.7  | 5.4  | 5.1  | 4.9  | 4.7  | 4.5 | 4.3 | 4.1 | 3.9 | 3.6 | 3.4 | 3   | 2.6 | 2.2 |     |     |     |     |  |  |  |
|                 |                | 40             |            |      |      |      |      |      |      |      | 5.8  | 5.5  | 5.3  | 5.1  | 4.9  | 4.7  | 4.5  | 4.3 | 4.2 | 4.1 | 3.9 | 3.7 | 3.6 | 3.4 | 3.2 | 2.7 |     |     |     |     |  |  |  |
|                 | 28             | 0              |            |      |      | 9    | 8.5  | 8    | 7.5  | 7.1  | 6.6  | 6.2  | 5.8  | 5.5  | 5.1  | 4.8  | 4.6  | 4.3 | 4.1 | 3.8 | 3.7 | 3.5 | 3.2 | 2.9 | 2.7 | 2.5 | 2.2 | 1.9 | 1.6 | 1.3 |  |  |  |
|                 |                | 20             |            |      |      |      |      |      |      |      | 5.3  | 5    | 4.7  | 4.4  | 4.2  | 4    | 3.8  | 3.6 | 3.4 | 3.3 | 3.2 | 3.1 | 2.8 | 2.6 | 2.5 | 2.3 | 2.2 | 2.1 | 1.7 | 1.4 |  |  |  |
|                 |                | 40             |            |      |      |      |      |      |      |      |      |      |      | 3.6  | 3.5  | 3.5  | 3.4  | 3.3 | 3.2 | 3.1 | 3   | 2.9 | 2.7 | 2.6 | 2.3 | 2.2 | 2.2 | 2.2 |     |     |  |  |  |
| 35              | 0              |                |            |      | 6.7  | 6.3  | 5.9  | 5.5  | 5.1  | 4.7  | 4.4  | 4.1  | 3.8  | 3.6  | 3.4  | 3.2  | 3    | 2.9 | 2.7 | 2.6 | 2.3 | 2.1 | 1.9 | 1.7 | 1.6 | 1.4 | 1.2 |     |     |     |  |  |  |
|                 | 20             |                |            |      |      |      |      |      |      |      | 3.4  | 3.3  | 3.1  | 2.9  | 2.8  | 2.7  | 2.5  | 2.4 | 2.3 | 2.2 | 2   | 1.8 | 1.7 | 1.5 | 1.4 | 1.3 | 1.2 | 1.2 |     |     |  |  |  |
|                 | 40             |                |            |      |      |      |      |      |      |      |      |      |      |      | 2.2  | 2.1  | 2.1  | 2   | 2   | 1.9 | 1.8 | 1.7 | 1.6 | 1.5 | 1.4 | 1.3 | 1.2 | 1.2 |     |     |  |  |  |
| 42              | 0              |                |            |      |      | 4.9  | 4.5  | 4.1  | 3.8  | 3.5  | 3.3  | 3.1  | 2.9  | 2.8  | 2.6  | 2.4  | 2.3  | 2.2 | 2   | 1.9 |     |     |     |     |     |     |     |     |     |     |  |  |  |
| 60              | 42             | 0              |            |      |      |      | 4    | 3.9  | 3.6  | 3.4  | 3.2  | 3    | 2.8  | 2.7  | 2.5  | 2.4  | 2.2  | 2.1 | 2   | 1.9 |     |     |     |     |     |     |     |     |     |     |  |  |  |

t = metric tons.

The content in this document is mentioned for reference use only. Values may differ from current data. Always contact Mammoet for current project calculations.







Dimensions are in meters.  
 The content in this document is mentioned for reference use only. Values may differ from current data. Always contact Mammoet for current project calculations.





| Boom length (m) | Boom angle (°) | Jib length (m) | Radius (m) |    |    |    |    |    |    |    |    |    |    |    |    |      |     |     |     |     |     |     |     |     |     |     |     |     |     |    |    |    |    |    |    |  |  |  |  |
|-----------------|----------------|----------------|------------|----|----|----|----|----|----|----|----|----|----|----|----|------|-----|-----|-----|-----|-----|-----|-----|-----|-----|-----|-----|-----|-----|----|----|----|----|----|----|--|--|--|--|
|                 |                |                | 9          | 10 | 11 | 12 | 14 | 16 | 18 | 20 | 22 | 24 | 26 | 28 | 30 | 32   | 34  | 36  | 38  | 40  | 42  | 44  | 46  | 48  | 50  | 54  | 58  | 62  | 66  | 70 | 74 | 78 | 82 | 86 | 88 |  |  |  |  |
| 56.4            | 66             | 21             |            |    |    |    |    |    |    |    |    |    |    |    |    |      |     |     |     |     | 6.3 | 5.9 |     |     |     |     |     |     |     |    |    |    |    |    |    |  |  |  |  |
|                 |                | 28             |            |    |    |    |    |    |    |    |    |    |    |    |    |      |     |     |     |     |     |     |     | 4.7 | 4.4 | 4.2 |     |     |     |    |    |    |    |    |    |  |  |  |  |
|                 |                | 35             |            |    |    |    |    |    |    |    |    |    |    |    |    |      |     |     |     |     |     |     |     |     |     | 3.4 | 3   | 2.8 |     |    |    |    |    |    |    |  |  |  |  |
|                 |                | 42             |            |    |    |    |    |    |    |    |    |    |    |    |    |      |     |     |     |     |     |     |     |     |     |     | 2.5 | 2.2 | 2   |    |    |    |    |    |    |  |  |  |  |
| 74              | 17.5           |                |            |    |    |    |    |    |    |    |    |    |    |    | 11 | 10.4 |     |     |     |     |     |     |     |     |     |     |     |     |     |    |    |    |    |    |    |  |  |  |  |
|                 |                | 21             |            |    |    |    |    |    |    |    |    |    |    |    |    | 9.6  | 9.1 | 8.6 |     |     |     |     |     |     |     |     |     |     |     |    |    |    |    |    |    |  |  |  |  |
|                 |                | 28             |            |    |    |    |    |    |    |    |    |    |    |    |    |      | 7.8 | 7.5 | 7.2 | 6.9 | 6.6 |     |     |     |     |     |     |     |     |    |    |    |    |    |    |  |  |  |  |
|                 |                | 35             |            |    |    |    |    |    |    |    |    |    |    |    |    |      |     |     | 5.9 | 5.7 | 5.4 | 5.2 | 5   | 4.7 | 4.5 |     |     |     |     |    |    |    |    |    |    |  |  |  |  |
|                 |                | 42             |            |    |    |    |    |    |    |    |    |    |    |    |    |      |     |     |     |     | 4.4 | 4.2 | 4   | 3.8 | 3.6 | 3.4 |     |     |     |    |    |    |    |    |    |  |  |  |  |
|                 |                | 49             |            |    |    |    |    |    |    |    |    |    |    |    |    |      |     |     |     |     |     |     | 3   | 3   | 3   | 2.9 | 2.7 | 2.5 | 2.3 |    |    |    |    |    |    |  |  |  |  |
| 56              |                |                |            |    |    |    |    |    |    |    |    |    |    |    |    |      |     |     |     |     |     | 1.8 | 1.8 | 1.8 | 1.8 | 1.6 | 1.4 | 1.3 |     |    |    |    |    |    |    |  |  |  |  |
| 82              | 17.5           |                |            |    |    |    |    |    |    |    |    |    |    |    |    |      |     |     |     |     |     |     |     |     |     |     |     |     |     |    |    |    |    |    |    |  |  |  |  |
|                 |                | 21             |            |    |    |    |    |    |    |    |    |    |    |    |    |      |     |     |     |     |     |     |     |     |     |     |     |     |     |    |    |    |    |    |    |  |  |  |  |
|                 |                | 28             |            |    |    |    |    |    |    |    |    |    |    |    |    |      |     |     |     |     |     |     |     |     |     |     |     |     |     |    |    |    |    |    |    |  |  |  |  |
|                 |                | 35             |            |    |    |    |    |    |    |    |    |    |    |    |    |      |     |     |     |     |     |     |     |     |     |     |     |     |     |    |    |    |    |    |    |  |  |  |  |
|                 |                | 42             |            |    |    |    |    |    |    |    |    |    |    |    |    |      |     |     |     |     |     |     |     |     |     |     |     |     |     |    |    |    |    |    |    |  |  |  |  |
|                 |                | 49             |            |    |    |    |    |    |    |    |    |    |    |    |    |      |     |     |     |     |     |     |     |     |     |     |     |     |     |    |    |    |    |    |    |  |  |  |  |
| 56              |                |                |            |    |    |    |    |    |    |    |    |    |    |    |    |      |     |     |     |     |     |     |     |     |     |     |     |     |     |    |    |    |    |    |    |  |  |  |  |

t = metric tons.

The content in this document is mentioned for reference use only. Values may differ from current data. Always contact Mammoet for current project calculations.

**T2AN Guyed main boom with luffing jib**

- Outrigger base: 8.9×8.5 m
- Ballast: 112.5 - 50 t
- Boom angle: 82°, 74°, 66°

| Boom length (m) | Boom angle (°) | Jib length (m) | Radius (m) |      |      |      |      |      |      |      |      |      |      |      |      |      |      |      |      |      |      |      |     |     |     |     |     |     |     |     |     |
|-----------------|----------------|----------------|------------|------|------|------|------|------|------|------|------|------|------|------|------|------|------|------|------|------|------|------|-----|-----|-----|-----|-----|-----|-----|-----|-----|
|                 |                |                | 14         | 16   | 18   | 20   | 22   | 24   | 26   | 28   | 30   | 32   | 34   | 36   | 38   | 40   | 42   | 44   | 46   | 48   | 50   | 54   | 58  | 62  | 66  | 70  | 74  | 78  | 82  | 86  |     |
| 35.7            | 66             | 21             |            |      |      |      |      |      |      |      |      | 24   | 22.3 | 20.8 | 19.5 |      |      |      |      |      |      |      |     |     |     |     |     |     |     |     |     |
|                 |                | 28             |            |      |      |      |      |      |      |      |      |      | 20.1 | 18.8 | 17.6 | 16.6 | 15.6 |      |      |      |      |      |     |     |     |     |     |     |     |     |     |
|                 |                | 35             |            |      |      |      |      |      |      |      |      |      |      |      | 17.2 | 16.1 | 15.2 | 14.3 | 13.5 | 12.8 | 12.2 |      |     |     |     |     |     |     |     |     |     |
|                 |                | 42             |            |      |      |      |      |      |      |      |      |      |      |      |      |      | 14.2 | 13.7 | 13   | 12.2 | 11.6 | 10.5 |     |     |     |     |     |     |     |     |     |
|                 |                | 49             |            |      |      |      |      |      |      |      |      |      |      |      |      |      |      |      | 10.7 | 10.7 | 10.7 | 9.9  | 8.9 | 8.1 |     |     |     |     |     |     |     |
|                 |                | 56             |            |      |      |      |      |      |      |      |      |      |      |      |      |      |      |      |      |      | 8.2  | 8.2  | 8.2 | 7.5 | 6.7 | 6.1 |     |     |     |     |     |
|                 |                | 63             |            |      |      |      |      |      |      |      |      |      |      |      |      |      |      |      |      |      |      |      | 6   | 6   | 6   | 6   | 5.4 | 4.8 | 4.3 |     |     |
|                 |                | 70             |            |      |      |      |      |      |      |      |      |      |      |      |      |      |      |      |      |      |      |      |     | 4.2 | 4.2 | 4.2 | 4.2 | 4.1 | 3.7 | 3.4 | 3.3 |
| 74              | 21             | 21             |            |      |      | 29.1 | 28.9 | 28.8 | 28.8 | 27   |      |      |      |      |      |      |      |      |      |      |      |      |     |     |     |     |     |     |     |     |     |
|                 |                | 28             |            |      |      |      |      | 23   | 22.8 | 22.7 | 22.6 | 22.6 | 21.4 |      |      |      |      |      |      |      |      |      |     |     |     |     |     |     |     |     |     |
|                 |                | 35             |            |      |      |      |      |      | 18.6 | 18.5 | 18.4 | 18.2 | 18.2 | 18.1 | 18.1 | 17.5 | 16.6 |      |      |      |      |      |     |     |     |     |     |     |     |     |     |
|                 |                | 42             |            |      |      |      |      |      |      |      | 14.7 | 14.7 | 14.7 | 14.7 | 14.7 | 14.7 | 14.6 | 14.4 | 14.2 | 13.7 |      |      |     |     |     |     |     |     |     |     |     |
|                 |                | 49             |            |      |      |      |      |      |      |      |      |      |      | 11.1 | 11.1 | 11.1 | 11.1 | 11.1 | 11.1 | 11.1 | 11.1 | 10.8 |     |     |     |     |     |     |     |     |     |
|                 |                | 56             |            |      |      |      |      |      |      |      |      |      |      |      | 8.4  | 8.4  | 8.4  | 8.4  | 8.4  | 8.4  | 8.4  | 8.4  | 8.4 | 8.4 |     |     |     |     |     |     |     |
|                 |                | 63             |            |      |      |      |      |      |      |      |      |      |      |      |      |      | 6.1  | 6.1  | 6.1  | 6.1  | 6.1  | 6.1  | 6.1 | 6.1 | 6.1 | 6.1 | 6.1 |     |     |     |     |
|                 |                | 70             |            |      |      |      |      |      |      |      |      |      |      |      |      |      |      |      | 4.2  | 4.2  | 4.2  | 4.2  | 4.2 | 4.2 | 4.2 | 4.2 | 4.2 | 4.2 | 4.2 | 4.2 |     |
| 82              | 21             | 21             | 31         | 30.5 | 30.5 | 30   | 30   | 30   |      |      |      |      |      |      |      |      |      |      |      |      |      |      |     |     |     |     |     |     |     |     |     |
|                 |                | 28             |            | 24.7 | 24.4 | 24.1 | 23.9 | 23.7 | 23.5 | 23.4 | 23.4 |      |      |      |      |      |      |      |      |      |      |      |     |     |     |     |     |     |     |     |     |
|                 |                | 35             |            |      | 19.6 | 19.6 | 19.5 | 19.3 | 19.1 | 19   | 18.7 | 18.4 | 18.2 | 18   | 17.8 |      |      |      |      |      |      |      |     |     |     |     |     |     |     |     |     |
|                 |                | 42             |            |      |      | 15.3 | 15.3 | 15.3 | 15.3 | 15.3 | 15.3 | 15.1 | 14.8 | 14.6 | 14.3 | 14   | 13.7 | 13.2 |      |      |      |      |     |     |     |     |     |     |     |     |     |
|                 |                | 49             |            |      |      |      | 11.6 | 11.6 | 11.6 | 11.6 | 11.6 | 11.6 | 11.6 | 11.5 | 11.3 | 11   | 10.8 | 10.6 | 10.4 | 10.2 |      |      |     |     |     |     |     |     |     |     |     |
|                 |                | 56             |            |      |      |      |      |      | 9    | 9    | 9    | 9    | 9    | 9    | 9    | 9    | 8.9  | 8.7  | 8.5  | 8.4  | 8.2  | 7.8  | 7.4 |     |     |     |     |     |     |     |     |
|                 |                | 63             |            |      |      |      |      |      |      |      | 6.6  | 6.6  | 6.6  | 6.6  | 6.6  | 6.6  | 6.6  | 6.6  | 6.6  | 6.6  | 6.5  | 6.3  | 6.3 | 6.3 |     |     |     |     |     |     |     |
|                 |                | 70             |            |      |      |      |      |      |      |      |      | 4.6  | 4.6  | 4.6  | 4.6  | 4.6  | 4.6  | 4.6  | 4.6  | 4.6  | 4.6  | 4.6  | 4.6 | 4.6 | 4.6 | 4.6 | 4.6 | 4.6 | 4.6 |     |     |

t = metric tons.

The content in this document is mentioned for reference use only. Values may differ from current data. Always contact Mammoet for current project calculations.

**T3AN Guyed main boom with luffing jib**

- Outrigger base: 8.9×8.5 m
- Ballast: 112.5 - 50 t
- Boom angle: 82°, 74°, 66°

| Boom length (m) | Boom angle (°) | Jib length (m) | Radius (m) |      |      |      |      |      |      |      |      |      |      |      |      |      |      |      |      |     |     |     |     |     |     |     |     |     |     |     |     |  |  |
|-----------------|----------------|----------------|------------|------|------|------|------|------|------|------|------|------|------|------|------|------|------|------|------|-----|-----|-----|-----|-----|-----|-----|-----|-----|-----|-----|-----|--|--|
|                 |                |                | 14         | 16   | 18   | 20   | 22   | 24   | 26   | 28   | 30   | 32   | 34   | 36   | 38   | 40   | 42   | 44   | 46   | 48  | 50  | 54  | 58  | 62  | 66  | 70  | 74  | 78  | 82  | 86  |     |  |  |
| 46.1            | 66             | 21             |            |      |      |      |      |      |      |      |      |      | 16.2 | 16.2 | 16.2 | 15.4 |      |      |      |     |     |     |     |     |     |     |     |     |     |     |     |  |  |
|                 |                | 28             |            |      |      |      |      |      |      |      |      |      |      |      | 12.7 | 12.7 | 12.6 | 12.6 | 12.3 |     |     |     |     |     |     |     |     |     |     |     |     |  |  |
|                 |                | 35             |            |      |      |      |      |      |      |      |      |      |      |      |      | 9.9  | 9.9  | 9.9  | 9.9  | 9.9 | 9.5 |     |     |     |     |     |     |     |     |     |     |  |  |
|                 |                | 42             |            |      |      |      |      |      |      |      |      |      |      |      |      |      | 7.6  | 7.6  | 7.6  | 7.6 | 7.6 |     |     |     |     |     |     |     |     |     |     |  |  |
|                 |                | 49             |            |      |      |      |      |      |      |      |      |      |      |      |      |      |      |      |      |     |     | 5.7 | 5.7 | 5.7 | 5.7 |     |     |     |     |     |     |  |  |
|                 |                | 56             |            |      |      |      |      |      |      |      |      |      |      |      |      |      |      |      |      |     |     |     | 3.9 | 3.9 | 3.9 | 3.9 | 3.9 | 3.9 |     |     |     |  |  |
|                 |                | 63             |            |      |      |      |      |      |      |      |      |      |      |      |      |      |      |      |      |     |     |     |     | 2.6 | 2.6 | 2.6 | 2.6 | 2.6 | 2.6 | 2.6 |     |  |  |
|                 |                | 70             |            |      |      |      |      |      |      |      |      |      |      |      |      |      |      |      |      |     |     |     |     |     | 1.5 | 1.5 | 1.5 | 1.5 | 1.5 | 1.5 | 1.5 |  |  |
| 74              |                | 21             |            |      |      |      | 17.3 | 17.2 | 17.2 | 17.2 |      |      |      |      |      |      |      |      |      |     |     |     |     |     |     |     |     |     |     |     |     |  |  |
|                 |                | 28             |            |      |      |      |      | 13.7 | 13.6 | 13.5 | 13.4 | 13.4 | 13.4 | 13.4 |      |      |      |      |      |     |     |     |     |     |     |     |     |     |     |     |     |  |  |
|                 |                | 35             |            |      |      |      |      |      | 10.4 | 10.4 | 10.4 | 10.4 | 10.4 | 10.4 | 10.4 | 10.4 |      |      |      |     |     |     |     |     |     |     |     |     |     |     |     |  |  |
|                 |                | 42             |            |      |      |      |      |      |      |      |      | 7.8  | 7.8  | 7.8  | 7.8  | 7.8  | 7.8  | 7.8  | 7.8  | 7.8 | 7.8 |     |     |     |     |     |     |     |     |     |     |  |  |
|                 |                | 49             |            |      |      |      |      |      |      |      |      |      |      | 5.7  | 5.7  | 5.7  | 5.7  | 5.7  | 5.7  | 5.7 | 5.7 | 5.7 |     |     |     |     |     |     |     |     |     |  |  |
|                 |                | 56             |            |      |      |      |      |      |      |      |      |      |      |      | 3.9  | 3.9  | 3.9  | 3.9  | 3.9  | 3.9 | 3.9 | 3.9 | 3.9 |     |     |     |     |     |     |     |     |  |  |
|                 |                | 63             |            |      |      |      |      |      |      |      |      |      |      |      |      | 2.6  | 2.6  | 2.6  | 2.6  | 2.6 | 2.6 | 2.6 | 2.6 | 2.6 | 2.6 | 2.6 | 2.6 | 2.6 | 2.6 |     |     |  |  |
|                 |                | 70             |            |      |      |      |      |      |      |      |      |      |      |      |      |      | 1.5  | 1.5  | 1.5  | 1.5 | 1.5 | 1.5 | 1.5 | 1.5 | 1.5 | 1.5 | 1.5 | 1.5 | 1.5 | 1.5 | 1.5 |  |  |
| 82              |                | 21             | 18.6       | 18.5 | 18.4 | 18.3 | 18.3 | 18.3 |      |      |      |      |      |      |      |      |      |      |      |     |     |     |     |     |     |     |     |     |     |     |     |  |  |
|                 |                | 28             |            | 14.2 | 14.2 | 14.2 | 14.2 | 14.2 | 14.1 | 14.1 |      |      |      |      |      |      |      |      |      |     |     |     |     |     |     |     |     |     |     |     |     |  |  |
|                 |                | 35             |            |      | 10.6 | 10.6 | 10.6 | 10.6 | 10.6 | 10.6 | 10.6 | 10.6 | 10.6 | 10.6 |      |      |      |      |      |     |     |     |     |     |     |     |     |     |     |     |     |  |  |
|                 |                | 42             |            |      |      | 8    | 8    | 8    | 8    | 8    | 8    | 8    | 8    | 8    | 8    | 8    | 8    | 8    | 8    | 8   | 8   |     |     |     |     |     |     |     |     |     |     |  |  |
|                 |                | 49             |            |      |      |      | 5.9  | 5.9  | 5.9  | 5.9  | 5.9  | 5.9  | 5.9  | 5.9  | 5.9  | 5.9  | 5.9  | 5.9  | 5.9  | 5.9 | 5.9 |     |     |     |     |     |     |     |     |     |     |  |  |
|                 |                | 56             |            |      |      |      |      | 4.1  | 4.1  | 4.1  | 4.1  | 4.1  | 4.1  | 4.1  | 4.1  | 4.1  | 4.1  | 4.1  | 4.1  | 4.1 | 4.1 | 4.1 | 4.1 |     |     |     |     |     |     |     |     |  |  |
|                 |                | 63             |            |      |      |      |      |      | 2.7  | 2.7  | 2.7  | 2.7  | 2.7  | 2.7  | 2.7  | 2.7  | 2.7  | 2.7  | 2.7  | 2.7 | 2.7 | 2.7 | 2.7 | 2.7 | 2.7 | 2.7 | 2.7 | 2.7 |     |     |     |  |  |
|                 |                | 70             |            |      |      |      |      |      |      | 1.6  | 1.6  | 1.6  | 1.6  | 1.6  | 1.6  | 1.6  | 1.6  | 1.6  | 1.6  | 1.6 | 1.6 | 1.6 | 1.6 | 1.6 | 1.6 | 1.6 | 1.6 | 1.6 | 1.6 |     |     |  |  |
| 56.4            | 66             | 21             |            |      |      |      |      |      |      |      |      |      |      | 8.8  | 8.7  | 8.7  |      |      |      |     |     |     |     |     |     |     |     |     |     |     |     |  |  |
|                 |                | 28             |            |      |      |      |      |      |      |      |      |      |      |      |      | 6.7  | 6.7  | 6.6  | 6.6  |     |     |     |     |     |     |     |     |     |     |     |     |  |  |
|                 |                | 35             |            |      |      |      |      |      |      |      |      |      |      |      |      |      | 4.9  | 4.9  | 4.9  | 4.9 |     |     |     |     |     |     |     |     |     |     |     |  |  |
|                 |                | 42             |            |      |      |      |      |      |      |      |      |      |      |      |      |      |      |      | 3.5  | 3.5 | 3.5 |     |     |     |     |     |     |     |     |     |     |  |  |
|                 |                | 49             |            |      |      |      |      |      |      |      |      |      |      |      |      |      |      |      |      |     | 2.5 | 2.5 | 2.5 | 2.5 |     |     |     |     |     |     |     |  |  |
|                 |                | 56             |            |      |      |      |      |      |      |      |      |      |      |      |      |      |      |      |      |     |     | 1.5 | 1.5 | 1.5 | 1.5 | 1.5 | 1.5 |     |     |     |     |  |  |
|                 |                | 74             |            | 21   |      |      |      |      |      | 9.6  | 9.6  | 9.5  | 9.5  |      |      |      |      |      |      |     |     |     |     |     |     |     |     |     |     |     |     |  |  |
|                 |                |                |            | 28   |      |      |      |      |      |      | 7.4  | 7.3  | 7.3  | 7.2  | 7.1  | 7.1  |      |      |      |     |     |     |     |     |     |     |     |     |     |     |     |  |  |
| 35              |                |                |            |      |      |      |      |      |      |      | 5.4  | 5.4  | 5.3  | 5.3  | 5.3  | 5.3  | 5.3  | 5.3  | 5.3  |     |     |     |     |     |     |     |     |     |     |     |     |  |  |
| 42              |                |                |            |      |      |      |      |      |      |      |      |      |      | 3.8  | 3.8  | 3.8  | 3.8  | 3.8  | 3.8  | 3.8 | 3.8 |     |     |     |     |     |     |     |     |     |     |  |  |
| 49              |                |                |            |      |      |      |      |      |      |      |      |      |      |      |      | 2.7  | 2.7  | 2.7  | 2.7  | 2.7 | 2.7 | 2.7 | 2.7 | 2.7 | 2.7 | 2.7 |     |     |     |     |     |  |  |
| 56              |                |                |            |      |      |      |      |      |      |      |      |      |      |      |      |      |      | 1.6  | 1.6  | 1.6 | 1.6 | 1.6 | 1.6 | 1.6 | 1.6 | 1.6 | 1.6 | 1.6 |     |     |     |  |  |
| 82              |                | 21             | 10.6       | 10.5 | 10.4 | 10.4 | 10.3 | 10.3 |      |      |      |      |      |      |      |      |      |      |      |     |     |     |     |     |     |     |     |     |     |     |     |  |  |
|                 |                | 28             |            | 8.1  | 8    | 7.9  | 7.8  | 7.8  | 7.7  | 7.6  | 7.6  |      |      |      |      |      |      |      |      |     |     |     |     |     |     |     |     |     |     |     |     |  |  |
|                 |                | 35             |            |      | 5.9  | 5.9  | 5.9  | 5.9  | 5.8  | 5.8  | 5.7  | 5.7  | 5.7  | 5.7  |      |      |      |      |      |     |     |     |     |     |     |     |     |     |     |     |     |  |  |
|                 |                | 42             |            |      |      | 4.2  | 4.2  | 4.2  | 4.2  | 4.2  | 4.2  | 4.2  | 4.2  | 4.2  | 4.1  | 4.1  | 4.1  | 4.1  |      |     |     |     |     |     |     |     |     |     |     |     |     |  |  |
|                 |                | 49             |            |      |      |      |      | 2.8  | 2.8  | 2.8  | 2.8  | 2.8  | 2.8  | 2.8  | 2.8  | 2.8  | 2.8  | 2.8  | 2.8  | 2.8 | 2.8 | 2.8 |     |     |     |     |     |     |     |     |     |  |  |
|                 |                | 56             |            |      |      |      |      |      |      | 1.7  | 1.7  | 1.7  | 1.7  | 1.7  | 1.7  | 1.7  | 1.7  | 1.7  | 1.7  | 1.7 | 1.7 | 1.7 | 1.7 | 1.7 | 1.7 | 1.7 | 1.7 | 1.7 |     |     |     |  |  |

t = metric tons.

The content in this document is mentioned for reference use only. Values may differ from current data. Always contact Mammoet for current project calculations.